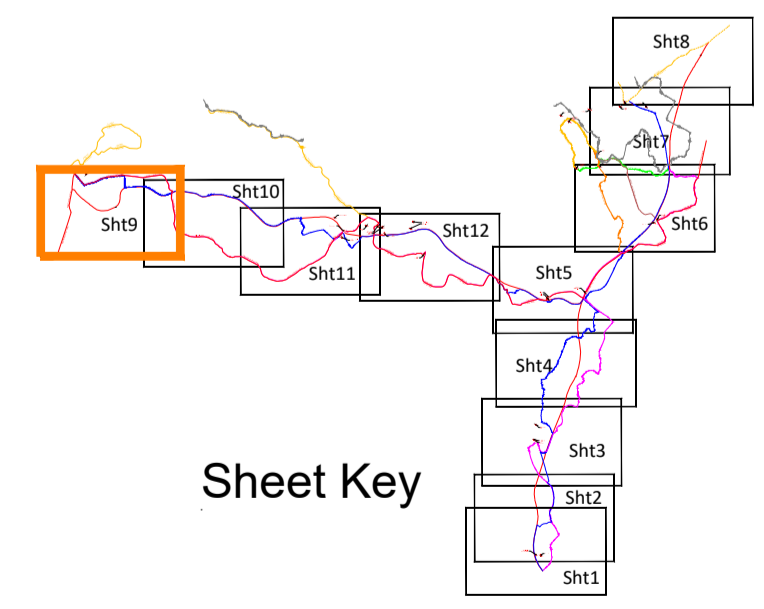


INFORMATION ONLY
 THIS DRAWING HAS BEEN ISSUED FOR INFORMATION PURPOSES ONLY AND MUST NOT BE USED FOR CONSTRUCTION UNDER ANY CIRCUMSTANCES

LEGEND

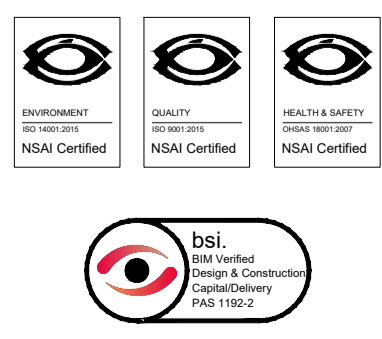
CAVAN GREENWAY MAIN ROUTE OPTIONS	LEADING TO CASTLESAUNDERSON ROUTE OPTIONS
Red Route Option	Yellow Route Option
Blue Route Option	Brown Route Option
Magenta Route Option	Green Route Option
CAVAN GREENWAY MAIN ROUTE CORRIDORS	LEADING TO CASTLESAUNDERSON ROUTE OPTIONS CORRIDOR
Red Route Option Corridor	Yellow Route Option Corridor
Blue Route Option Corridor	Brown Route Option Corridor
Magenta Route Option Corridor	Green Route Option Corridor
(Existing) Kingfisher Cycle Trail	NI / ROI Boundary
Existing Recreational Trails	Potential issues along the route option
(Proposed) Ulster Canal Greenway	Landmark



ORDNANCE SURVEY OF IRELAND LICENCE NO. CYAL50213875 © GOVERNMENT OF IRELAND

- ALL DIMENSIONS ARE IN METERS UNLESS NOTED OTHERWISE.
- ONLY WRITTEN DIMENSIONS SHALL BE USED. NO DIMENSIONS SHALL BE SCALED FROM THE DRAWING.
- ALL LEVELS ARE IN METERS AND ARE TO ORDNANCE DATUM, MALIN UNLESS NOTED OTHERWISE.
- ALL CO-ORDINATES ARE IN METERS AND ARE TO IRISH TRANSVERSE MERCATOR UNLESS NOTED OTHERWISE.
- THIS DRAWING IS TO BE READ IN CONJUNCTION WITH ALL OTHER RELEVANT ENGINEERING DRAWINGS AND SPECIFICATIONS.
- NO PART OF THIS DOCUMENT MAY BE REPRODUCED OR TRANSMITTED IN ANY FORM OR STORED IN ANY RETRIEVAL SYSTEM OF ANY NATURE WITHOUT THE WRITTEN PERMISSION OF O'CONNOR SUTTON CRONIN AS COPYRIGHT HOLDER EXCEPT AS AGREED FOR USE ON THE PROJECT FOR WHICH THE DOCUMENT WAS ORIGINALLY ISSUED.
- ANY DISCREPANCIES NOTICED SHOULD BE DISCUSSED AND CLARIFIED PRIOR TO PROCEEDING.

Rev No.	Date	Revision Note	Drn by	Chkd by
P01	13.04.22	SUITABLE FOR COMMENT/REVIEW	RB	SG
P02	03.05.22	SUITABLE FOR COMMENT/REVIEW	RB	SG



Head Office,
 9 Prussia Street,
 Dublin 7,
 D07 KT57

TEL +353 (0)1 8682000

e: contactus@ocsc.ie
 w: www.ocsc.ie

Dublin | London | Belfast | Galway | Cork



Client:	Cavan County Council								
Project:	Cavan Greenway								
Title:	PROPOSED ROUTE CORRIDOR OPTIONS CAVAN GREENWAY Sheet 9 of 12								
Code	Originator	Zone	Level	Type	Role	Number	Status	Revision	
C976	OCSC	XX	XX	DR	C	0030	S3	P02	
Date:	Apr'22	Scale:	1:5000@ A1	Drn by:	RB	Chkd by:	SG	Aprvd by:	AH