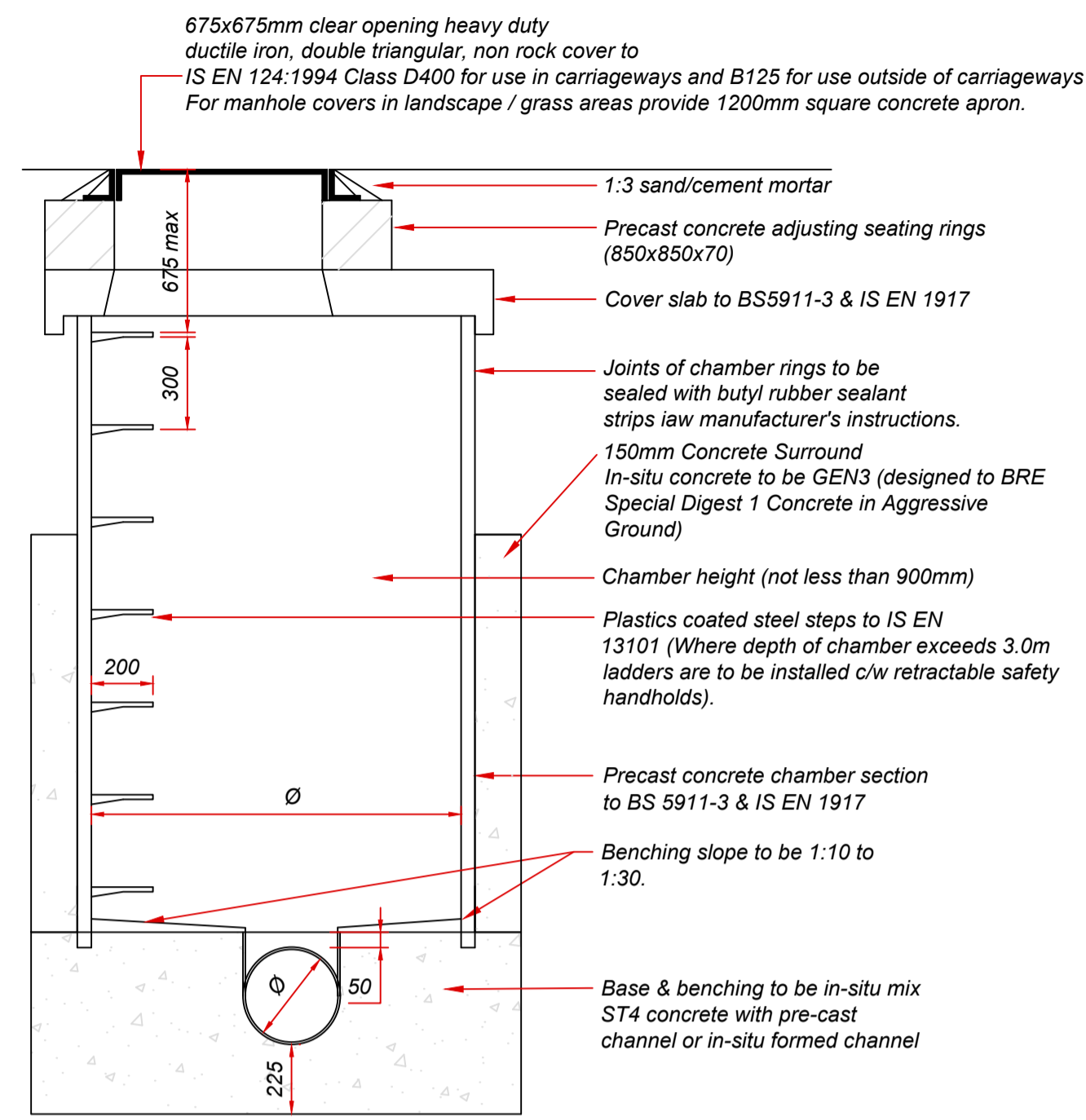
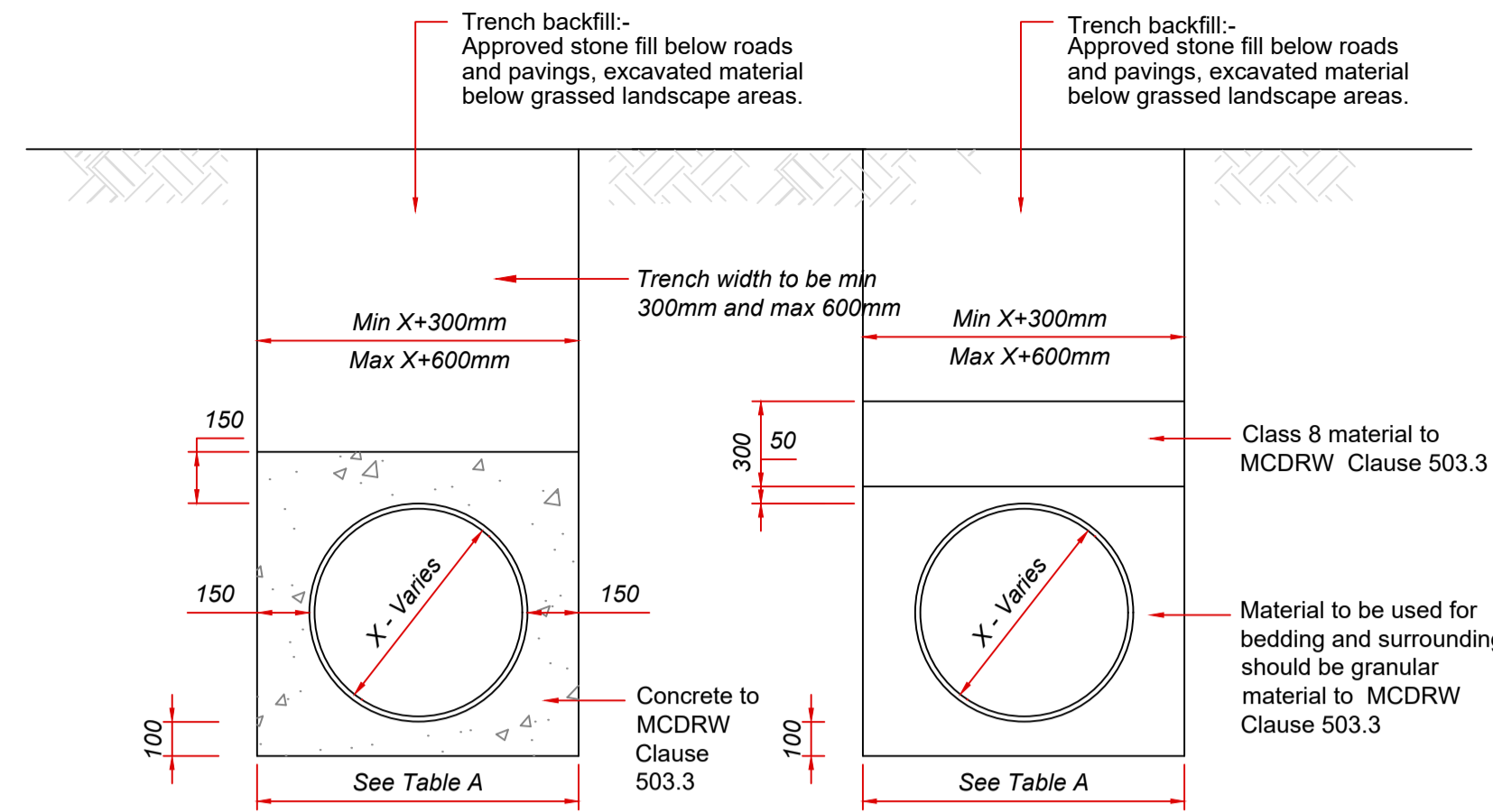


**DETAIL 2.1 - PRECAST CONCRETE MANHOLE SECTIONAL ELEVATION TYPE A (<3.0m DEEP)**  
Scale 1:20



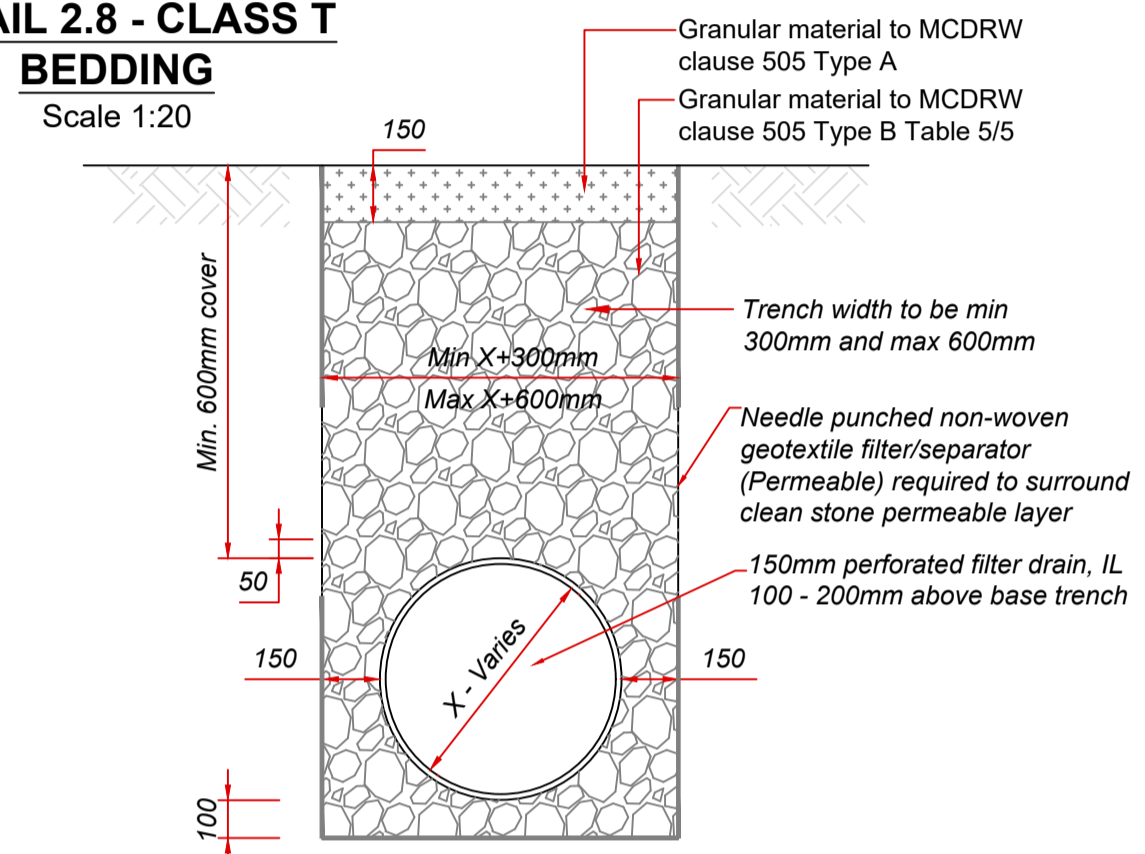
**DETAIL 2.2 - PRECAST CONCRETE MANHOLE SECTIONAL ELEVATION TYPE A (>3.0m DEEP)**  
Scale 1:20



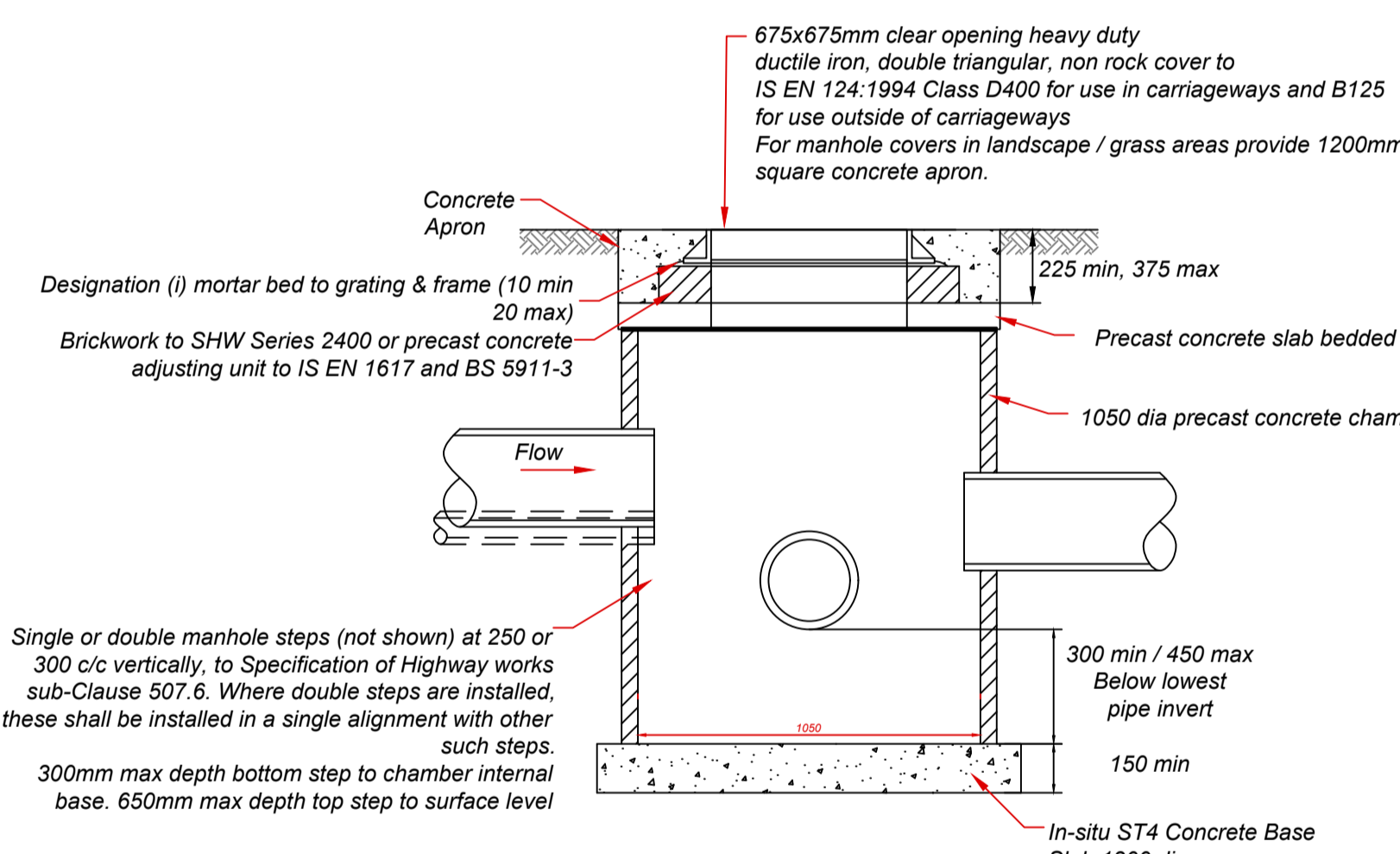
**DETAIL 2.7 - CLASS Z BEDDING** Scale 1:20  
**DETAIL 2.8 - CLASS T BEDDING** Scale 1:20

| Pipe Diameter (mm) | Min. Trench Width (mm) | Max. Trench Width (mm) |
|--------------------|------------------------|------------------------|
| 150                | 490                    | 690                    |
| 200                | 580                    | 780                    |
| 250                | 680                    | 880                    |
| 300                | 680                    | 880                    |
| 375                | 950                    | 1150                   |
| 450                | 1030                   | 1230                   |
| 600                | 1240                   | 1440                   |

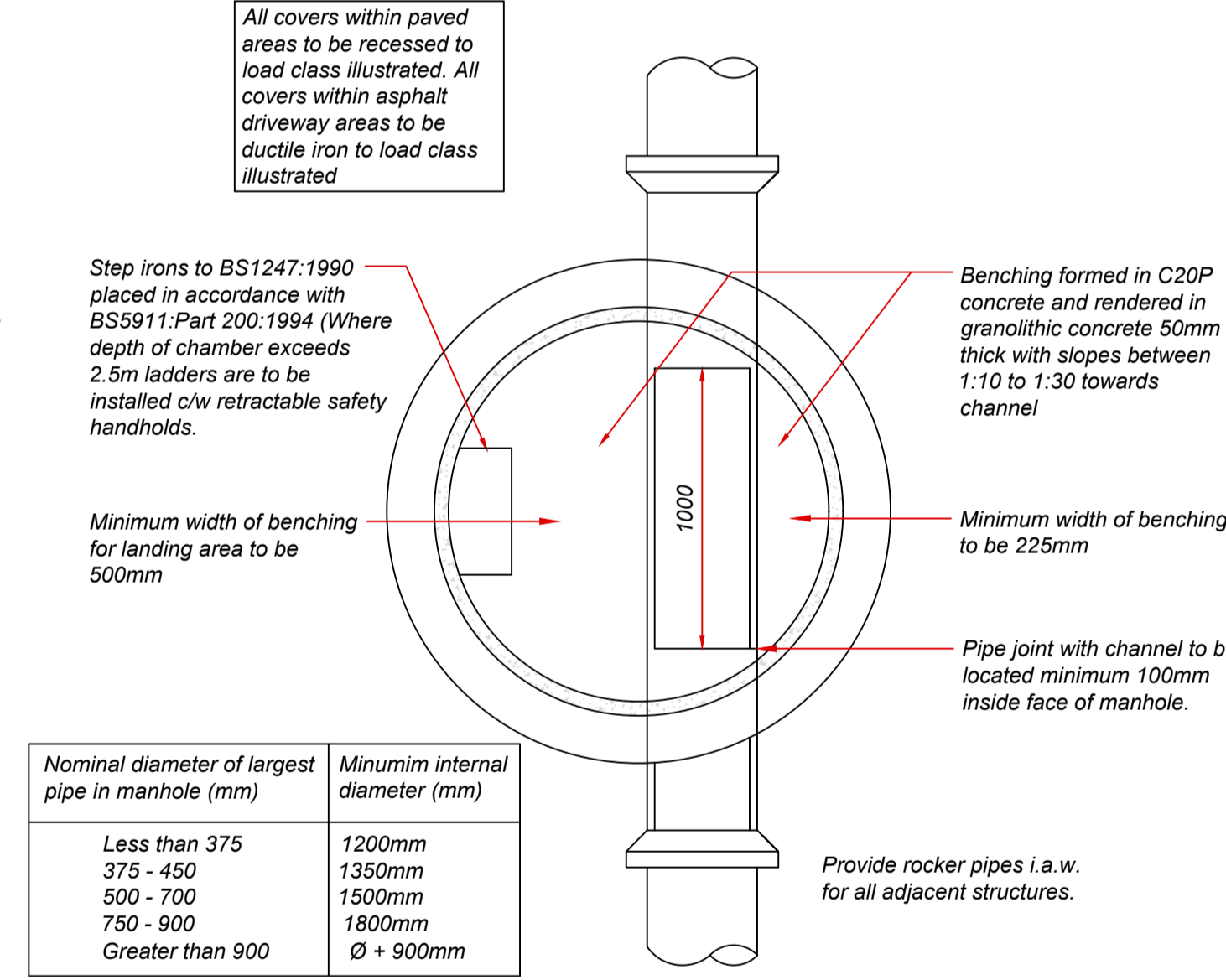
TABLE A



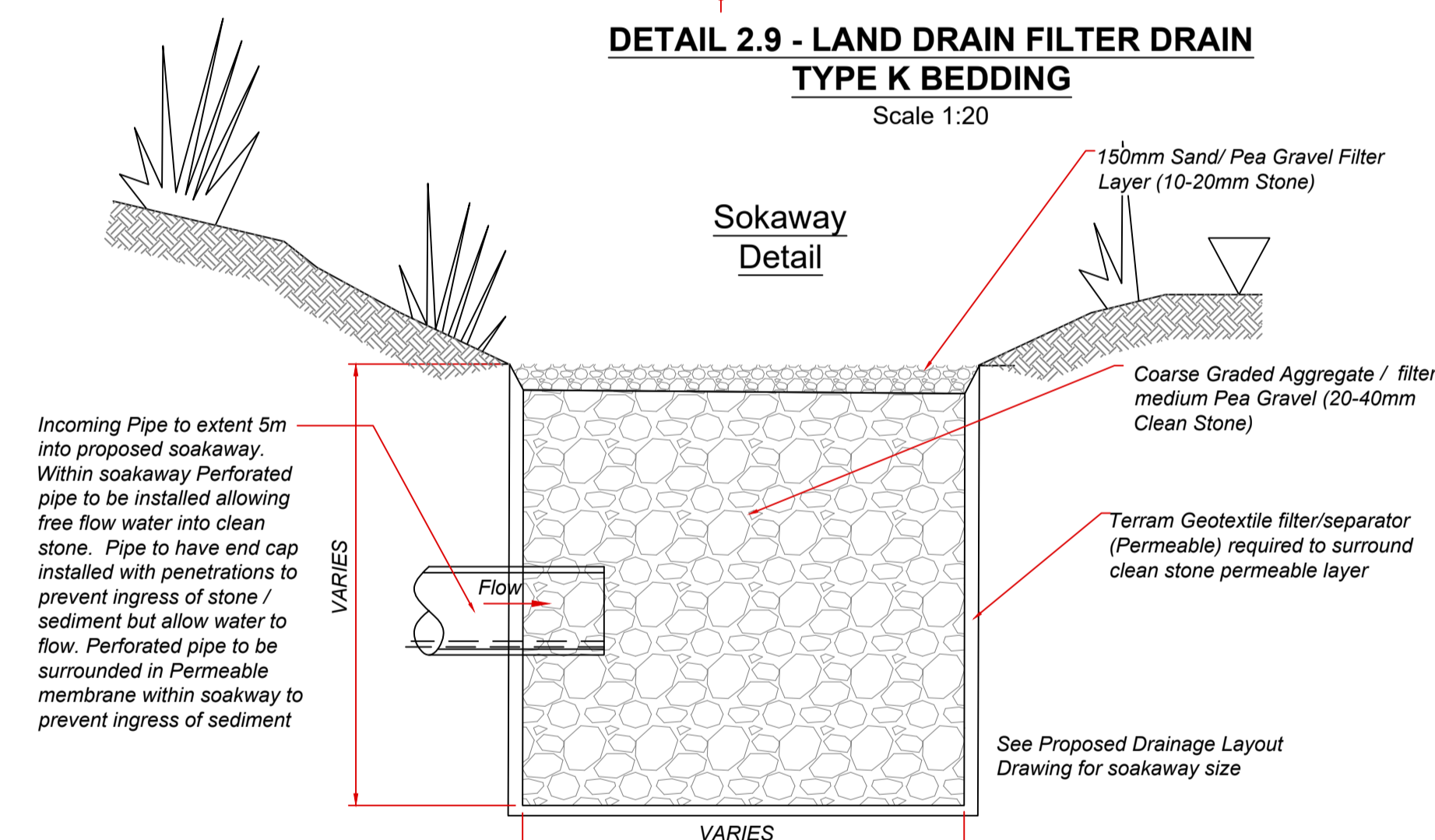
**DETAIL 2.9 - LAND DRAIN FILTER DRAIN TYPE K BEDDING**  
Scale 1:20



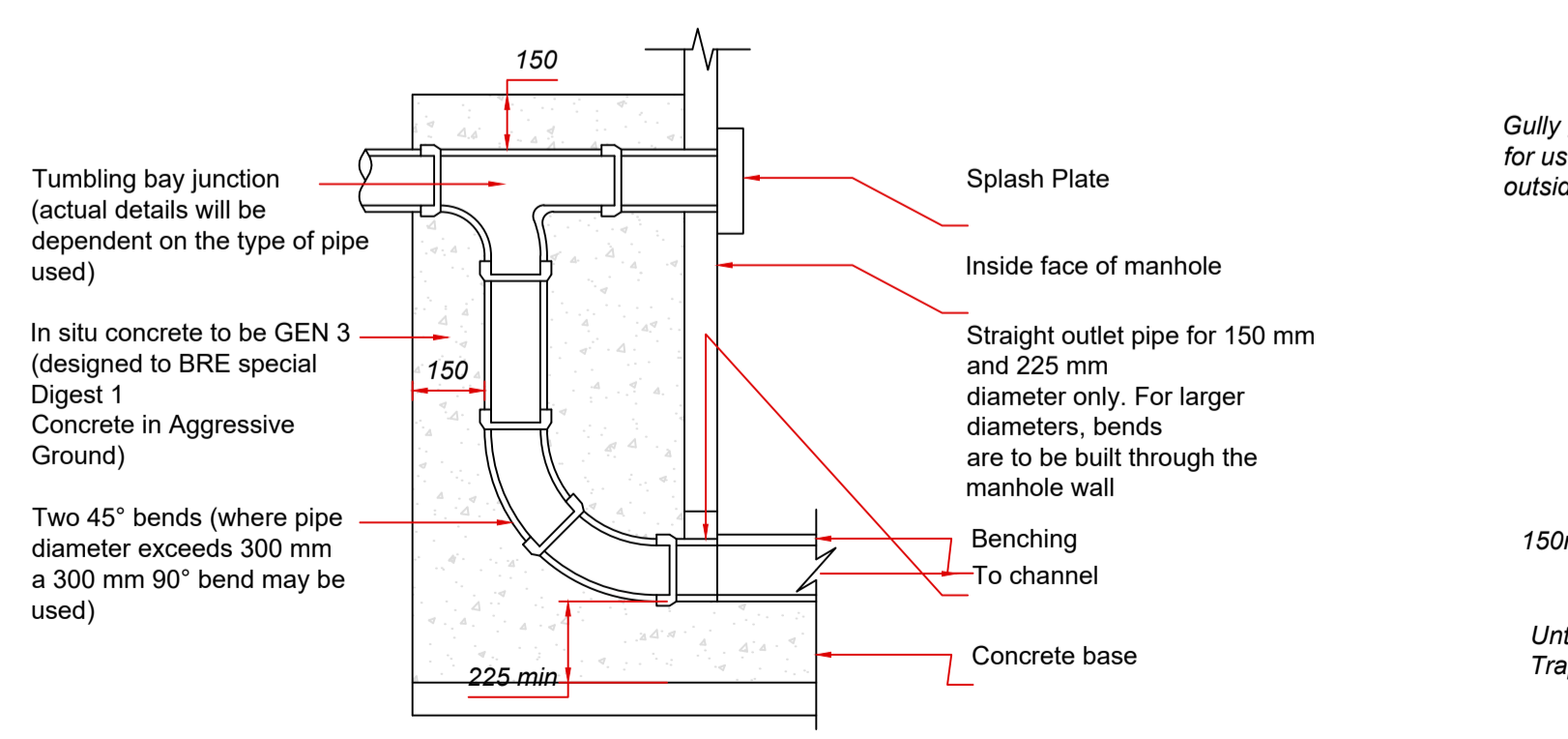
**DETAIL 2.3 - TYPE 7 CHAMBER (1050 / 1200mm DIA CATCHPIT)**  
Scale 1:20



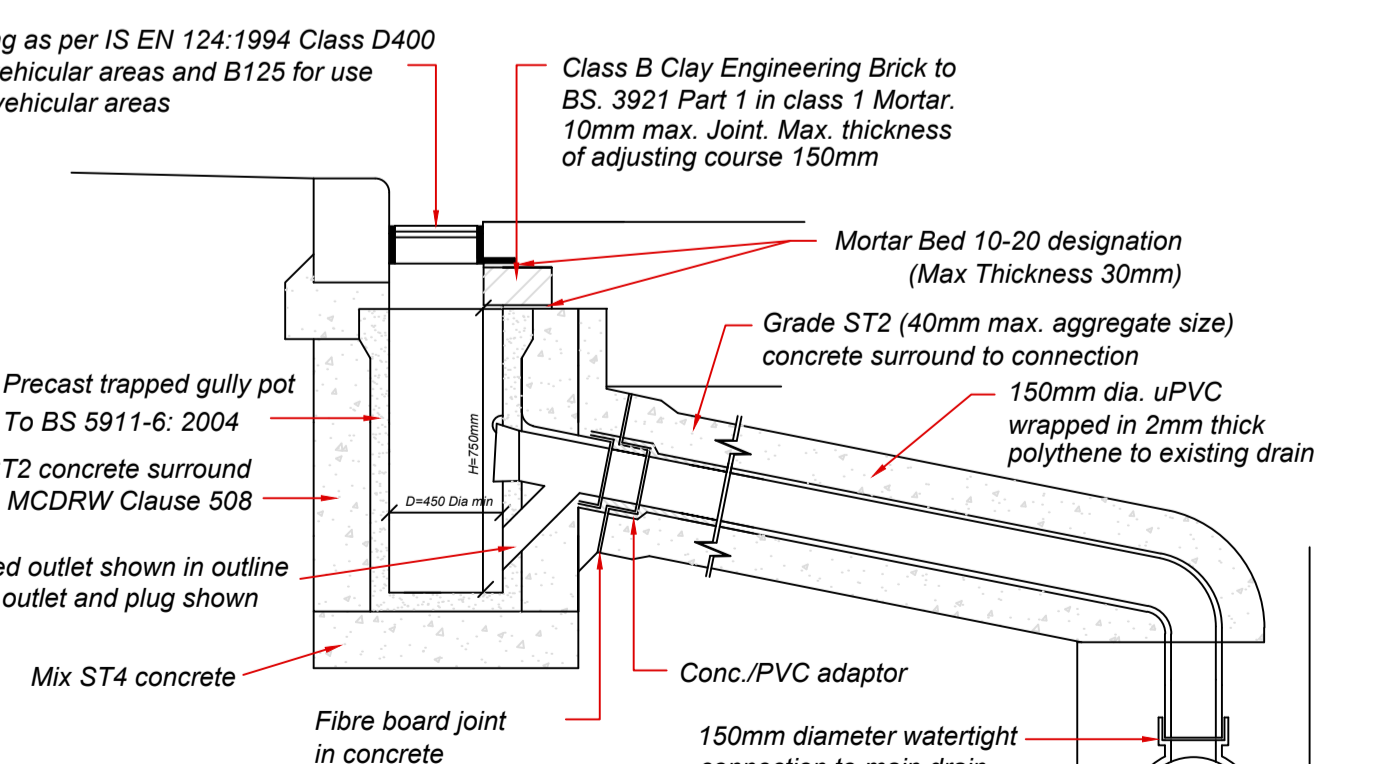
**DETAIL 2.4 - PRECAST CONCRETE MANHOLE SECTIONAL ELEVATION (<3.0m DEEP)**  
Scale 1:20



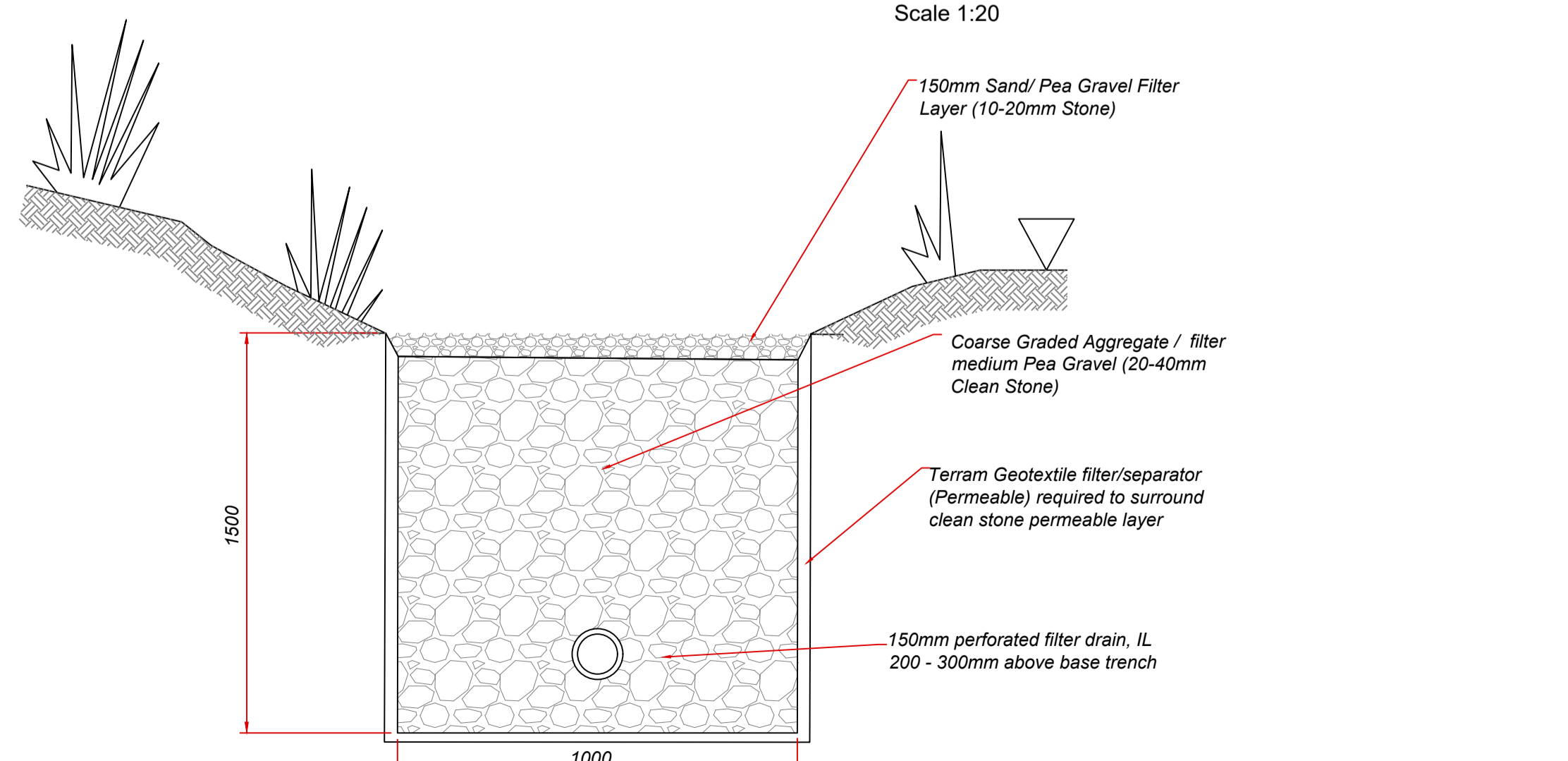
**DETAIL 2.10 - SOAKAWAY**  
Scale 1:20



**DETAIL 2.5 - TYPICAL DROP MANHOLE CONNECTION**  
Scale 1:20



**DETAIL 2.6 - TYPICAL GULLY DETAIL**  
Not To Scale



**DETAIL 2.11 - INFILTRATION TRENCH**  
Scale 1:20

- Notes:**
- Materials and Workmanship to be as Civil Engineering Specification for the Water Industry 6th Edition, published by WRc plc 2004 unless otherwise stated. Drainage work generally shall be i.a.w. IS EN 752:2008.
  - This drawing should be read in conjunction with all relevant drawings (Architectural and Engineering).
  - All dimensions are in millimeters, unless stated otherwise.
  - If precast units are used, internal dimensions shown/specified may be varied to suit manufacturer's dimensions provided minimum dimensions are maintained.
  - All chambers to be constructed in accordance with manufacturers specifications/ guidelines.

| Rev | Issue Date | Description | App |
|-----|------------|-------------|-----|
|     |            |             |     |

Status: **PLANNING**

Client: **Cavan County Council**

Project: **Cavan Regional Sports Campus**

Drawing: **Construction Details - Drainage**

Scale: **As Shown @ A1**

**McAdam**  
ENHANCING LOCAL COMMUNITIES

Contact Details: 1c Montgomery House, 478 Castlereagh Road, Belfast, BT5 6BQ. T: 028 9040 2000. E: admin@mcadamdesign.co.uk, www.mcadamdesign.co.uk

| Drawn | PC         | Checked | PA         | Approved | PA         |
|-------|------------|---------|------------|----------|------------|
| Date  | 14/02/2024 | Date    | 14/02/2024 | Date     | 14/02/2024 |

Project: CRSP - Organisation - Zone - Level - Type - Role - Number - Revision  
CRSP - MCA - 00 - 00 - DR - C - 3003 - P1

Project Number: **A2156** Status code & Description: **S4**

All dimensions are in metres. Figured dimensions to be taken in preference to scale dimensions. Dimensions to be checked on site. © 2021 McAdam Design Ltd.