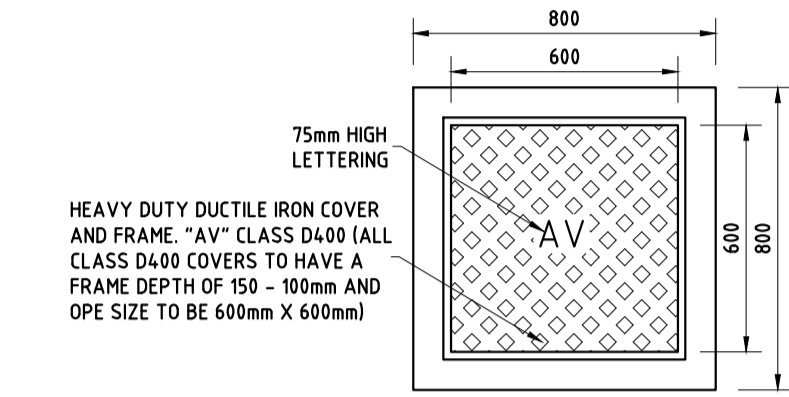
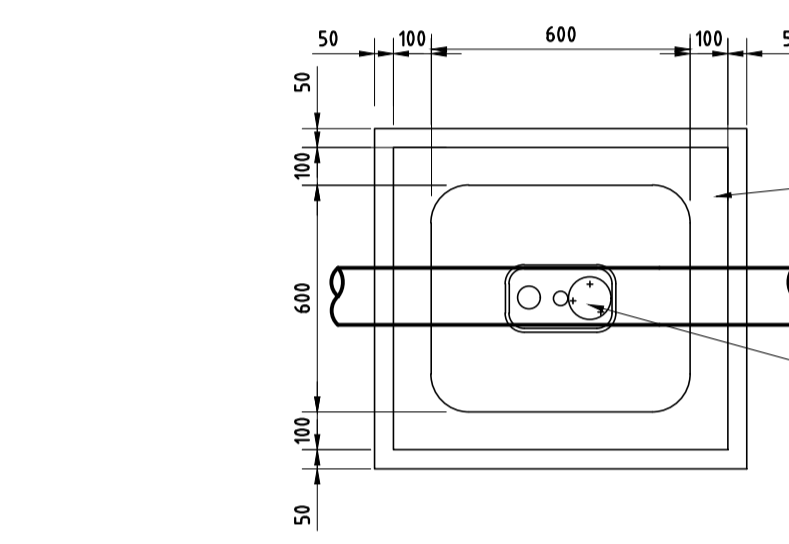


SECTION



ROOF PLAN

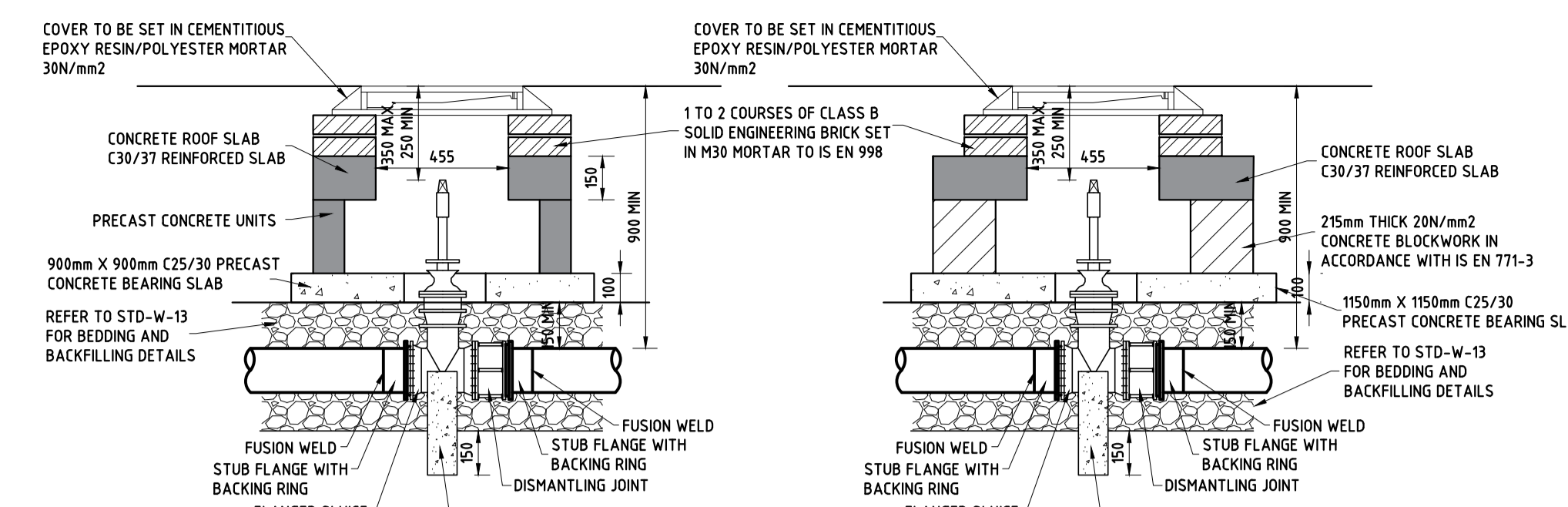


FLOOR PLAN

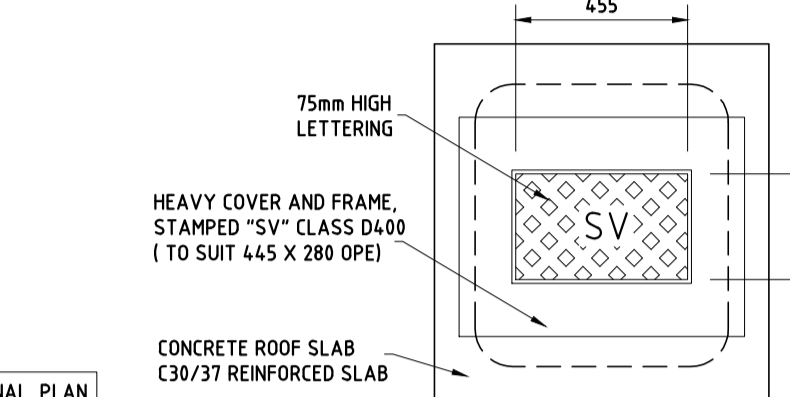
AIR VALVE
(PRECAST CONCRETE CONSTRUCTION)

ON - LINE AIR VALVE
FOR POLYETHYLENE (P.E) PIPE

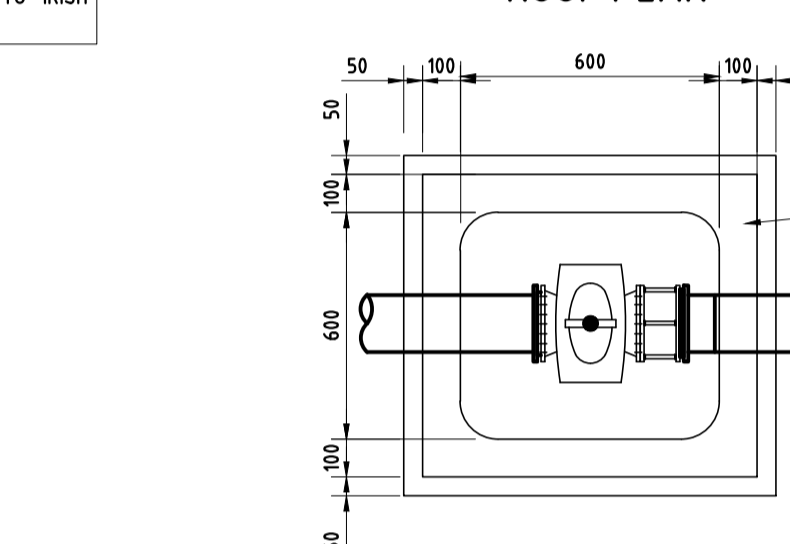
(1/20)



SECTION



ROOF PLAN



FLOOR PLAN

SLUICE VALVE CHAMBER
(PRECAST CONCRETE CONSTRUCTION)

SLUICE VALVE
FOR POLYETHYLENE (P.E) PIPE

(1/20)

WASTE WATER INFRASTRUCTURE

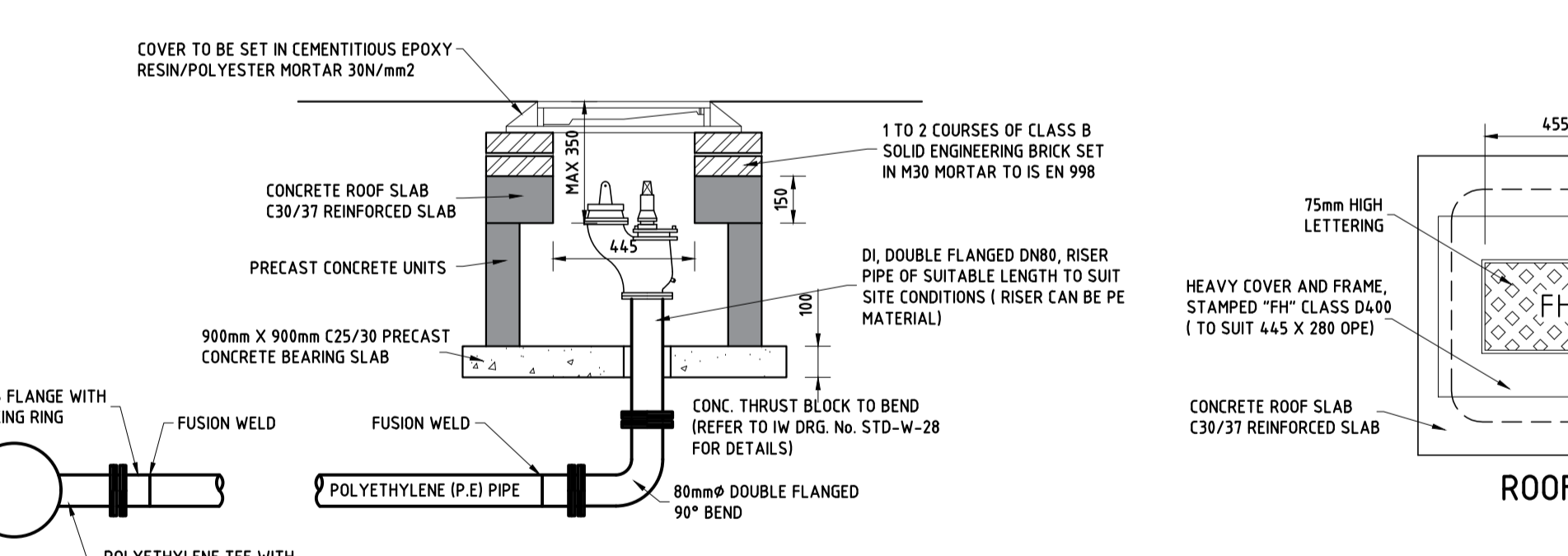
ALL WORKS TO BE CARRIED OUT IN ACCORDANCE WITH IRISH WATER DOCUMENTS IW-CDS-5030-01 (STANDARD DETAILS) & IW-CDS-5030-03 (CODE OF PRACTICE).
INDIVIDUAL WASTEWATER CONNECTION TO EACH DWELLING WILL BE AS PER STANDARD DETAIL DRAWING STD-W-02.
REFER TO SECTION 3.2 FOR SERVICE CONNECTION GRADIENTS.
THE INSPECTION CHAMBER WILL BE IN COMPLIANCE WITH STD-W-03 AND STD-W-13 AND WILL BE LOCATED WITHIN 1M OF EACH SITE BOUNDARY.
PIPE MATERIALS SHALL COMPLY WITH SECTION 3.13 OF THE IRISH WATER CODE OF PRACTICE.
PIPE MATERIALS WILL BE UNPLASTICISED PVC FOR THE MAIN SEWERS AS PER SECTION 3.13.3 OF THE IRISH WATER CODE OF PRACTICE.
COMPLIANCE WITH STANDARD DETAILS DRAWINGS STD-W-5, STD-W-6 & STD-W-6A SHALL BE ADHERED TO REGARDING SEPARATION DISTANCES FROM OTHER SERVICES, BOUNDARY WALLS & TREES.
MANHOLES WILL CONFORM TO STANDARD DETAILS STD-W-09, STD-W-10, STD-W-11 AND/OR STD-W-12 AS APPROPRIATE.
SEPARATION DISTANCES FROM FOUL SEWERS TO STRUCTURES AND OTHER UTILITIES WILL COMPLY WITH SECTION 3.5 OF THE IRISH WATER CODE OF PRACTICE.
REFER TO STD-W-12A, STD-W-06, STD-W-06A & 3.26 OF THE IRISH WATER CODE OF PRACTICE FOR PLANTING RESTRICTIONS OF WATER AND WASTE WATER. ROOT PROTECTION TO BE REBROD 2000 OR SIMILAR.
REFER TO DETAILS STD-W-11 FOR TYPICAL SERVICES LAYOUT DISTANCES & STD-W-05 FOR WASTEWATER TYPICAL SERVICES LAYOUT AND 3.21 IRISH WATER WASTEWATER CODE OF PRACTICE.
REFER TO SECTION 3.5.16 OF THE WASTE WATER IRISH WATER CODE OF PRACTICE FOR UNAVOIDABLE SERVICES CROSSOVER.
MANHOLE COVERS LOCATED IN GRASS AREAS TO HAVE 200mm ALL ROUND CONCRETE PLINTH AND 100mm DEEP FORMED CH CONCRETE, 20mm AGGREGATE, BEDDED IN CLAUSE 804 MATERIAL.
REFER TO 3.5.13 OF THE IRISH WATER CODE OF PRACTICE FOR STAGGERED MANHOLE SYSTEMS DETAILS.
EXTERNAL FACE OF PROPOSED MANHOLE CHAMBER TO BE A MINIMUM OF 0.5m FROM KERB LINE AND EXTERNAL FACE OF SEWERS ARE A MINIMUM OF 1M FROM KERB LINE. SEE SECTION 3.5.15 OF IRISH WATER WASTEWATER CODE OF PRACTICE.
CONFIRMATION BY A CHARTERED ENGINEER AND TEST RESULT CERTIFICATES INDICATING THAT THE WASTEWATER INFRASTRUCTURE HAS UNDERGONE APPROPRIATE ON-SITE TESTING AND COMMISSIONING. THE APPROPRIATE SITE TESTS FOR WASTEWATER COLLECTION INFRASTRUCTURE WOULD BE AS FOLLOWS:
• AIR TESTS AND WATER TESTS COMPLETION RESULTS FOR SEWERS
• WATER RETAINING TESTS COMPLETION RESULTS FOR MANHOLES AND PUMPING STATION STRUCTURES
• PRESSURE TESTING COMPLETION RESULTS OF RISING MAINS COMPLETE WITH A HARD COPY PRINT OUT FROM THE LOGGER OF THE RELAXATION CURVE AS PROOF OF THE OUTCOME OF THE TEST (IGN 4-01-93 COMPLIANT REPORT)
• A PRINTOUT OF THE JOINT DETAILS, WITH A GPS LOCATION OF EACH JOINT (HOPE WELDING)
• PUMPING STATIONS - TESTING & COMMISSIONING REPORTS

WASTEWATER INFRASTRUCTURE - CCTV & MANHOLE SURVEY REPORTS
REPORTING AND DELIVERING - THE FINAL REPORTS AND DELIVERABLES TO IRISH WATER SHALL INCLUDE THE FOLLOWING ITEMS:
A - CCTV SURVEY FOOTAGE FILES IN "XML" FORMAT SUBMITTED TO IRISH IN ACCORDANCE WITH MSC, 5TH ADDITION, COMPATIBLE WITH INFONET.
B - CCTV REPORTS: REPORTS SUBMITTED IDENTIFYING THAT NO DEFECTS EXIST. REPORTS SUBMITTED IN CD OR DVD FORMAT WITH A HARD COPY OF THE SURVEY REPORT.
C - MANHOLE SURVEY REPORTS: REPORTS SUBMITTED IDENTIFYING THAT NO DEFECTS EXIST. REPORTS SUBMITTED IN "CSC" FORMAT ON CD OR DVD WITH A HARD COPY OF THE SURVEY REPORTS. MANHOLE REFERENCING SHALL BE CONSISTENT WITH THE AS CONSTRUCTED DRAWINGS. - TO IRISH NATIONAL GRID COORDINATES (INGI) TO +/- 100mm ACCURACY IN THE HORIZONTAL PLANE, WITH DIMENSIONS RELATING TO FIXED ORDNANCE SURVEY CO-ORDINATES.
D - CERTIFICATION FROM THE CUSTOMERS CONSULTANT ENGINEER. CONFIRMATION THAT A QUALITY CONTROL REGIME HAS BEEN IMPLEMENTED WITH THE RESULT THAT NO DEFECTS EXIST IN EITHER THE SEWERS OR THE MANHOLES.

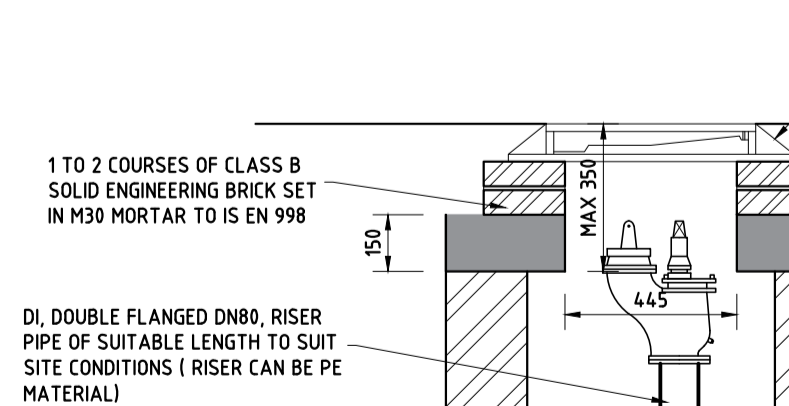
NOTES

WATER INFRASTRUCTURE
ALL WORKS TO BE CARRIED OUT IN ACCORDANCE WITH IRISH WATER DOCUMENTS IW-CDS-5020-01 (STANDARD DETAILS) & IW-CDS-5020-03 (CODE OF PRACTICE).
WATER BOUNDARY BOXES TO BE IN COMPLIANCE WITH THE IW CODE OF PRACTICE AND STANDARD DETAILS.
PIPE MATERIALS SHALL BE IN COMPLIANCE WITH SECTION 3.9 OF THE CODE OF PRACTICE.
COMPLIANCE WITH STANDARD DETAILS DRAWINGS STD-W-11, STD-W-12 & STD-W-12A SHALL BE ADHERED TO REGARDING SEPARATION DISTANCES FROM OTHER SERVICES, BOUNDARY WALLS & TREES.
SCOUR CHAMBER TO BE CONSTRUCTED AS PER IRISH WATER STANDARD DETAIL DRAWING STD-W-30.
BY-PASS FLOW METER TO BE CONSTRUCTED AS PER IRISH WATER STANDARD DETAIL DRAWING STD-W-26F.
CONFIRMATION BY A CHARTERED ENGINEER AND TEST RESULT CERTIFICATES & REPORTS INDICATING THAT THE WATER INFRASTRUCTURE HAS UNDERGONE APPROPRIATE ON-SITE TESTING, OFF-SITE TESTING AND COMMISSIONING. THE APPROPRIATE SITE TESTS FOR WATER COLLECTION INFRASTRUCTURE WOULD BE AS FOLLOWS:
• IGN TEST REPORTS - WATERMAIN PRESSURE TESTING
• SERVICE CONNECTION TEST RESULTS
• ELECTROFUSION WELD TEST RESULTS (DESTRUCTIVE TESTING)
• PRINTOUT OF THE JOINT DETAILS, WITH A GPS LOCATION OF EACH ELECTROFUSION & BUTT FUSION JOINT
• TESTING COMPLETION RESULTS FOR BOOSTER PUMP PLANT (IF APPROPRIATE)
• SWABBING & FLUSHING RECORDS
• DISINFECTION TEST REPORTS (ACCREDITED LABORATORY REPORT)
• WATER QUALITY SAMPLING RESULTS (ACCREDITED LABORATORY REPORT)

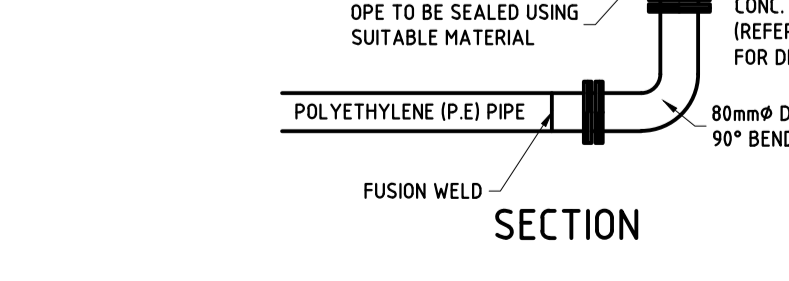
AS CONSTRUCTED RECORD DRAWINGS (IN HARD COPY AND DIGITAL FORMAT) SHALL SHOW THE LOCATION, LAYOUT PLANS, LONGITUDINAL SECTIONS AND DETAILS OF THE WORKS AND THE DEVELOPMENT IN FULL. PLAN SCALES SHOULD BE IN COMMON USE, IE 1:200, 1:500, 1:1000 OR 1:2500 AS APPROPRIATE. DRAWINGS SHOULD BE PREPARED USING AN ELECTRONIC SYSTEM AND SUBMITTED IN STANDARD "CAD COMPATIBLE (DWG/DXF)" FILE FORMAT. THESE DRAWINGS SHALL CONTAIN THE FOLLOWING INFORMATION:
• LOCATIONS OF ALL VALVES, HYDRANTS, SCOUR VALVES OR WASHOUT HYDRANTS, METERS, DUCTS, TAPPING LOCATIONS, WATER MAIN AND SERVICE PIPES, BOUNDARY BOXES, ETC. COMPLETE WITH LEGENDS TO IRISH WATER'S REQUIREMENTS.
• DETAILED PIPE MATERIAL TYPES, SIZES, CONNECTION DETAILED PLANS OF PIPE BRANCHES, SHOWING VALVE LOCATIONS, ETC.
• LOCATIONS OF ASSETS ARE TO BE TO +/- 100MM ACCURACY IN THE HORIZONTAL PLANE TO THE CENTRE OF THE ASSET, WITH DIMENSIONS RELATING TO FIXED IRISH NATIONAL GRID (ING) CO-ORDINATES.
• COVER LEVEL FOR WATER MAIN FITTINGS AND INTERMITTENT WATER MAIN INVERT LEVELS RELATING TO FIXED ORDNANCE SURVEY DATUM (MALIN HEAD) TO AN ACCURACY OF +/- 20MM.
• LONGITUDINAL SECTIONS, ON AN EXAGGERATED VERTICAL SCALE, (SUCH AS 1:1000 HORIZONTAL AND 1:100 VERTICAL) SHOWING INSTALLED LEVELS, COMPLETED GROUND LEVELS, INVERT LEVELS, PIPE SIZES, BEDDING, HAUNCH AND SURROUND DETAILS, BACKFILL DETAILS, TOGETHER WITH CHAMBER LOCATIONS, CHAMBERS, GRADIENTS, PIPE MATERIALS, ETC. ALL CHAMBERS FOR WATER SUPPLY FITTINGS SHALL BE IDENTIFIED AND PROVIDED WITH LOCATION CO-ORDINATES TO IRISH NATIONAL GRID (ING) DETAILS OF ANY SERVICES AND STRUCTURES ON THE SITE, ESPECIALLY THOSE IN CLOSE PROXIMITY TO THE WORKS INCLUDING OFFSET MEASUREMENTS TO THE WORKS.
• DWELLING AND BUILDING NUMBERS.
• CONSTRUCTION DETAILS OF PUMP STATION AS WELL AS MECHANICAL, ELECTRICAL AND INSTRUMENTATION EQUIPMENT DETAILS.
• DETAILS OF SERVICES AND STRUCTURES ON THE SITE, EXISTING AND PROPOSED, ESPECIALLY THOSE IN CLOSE PROXIMITY TO THE WORKS INCLUDING OFFSETS MEASUREMENTS TO THE WORKS.



SECTION



ROOF PLAN



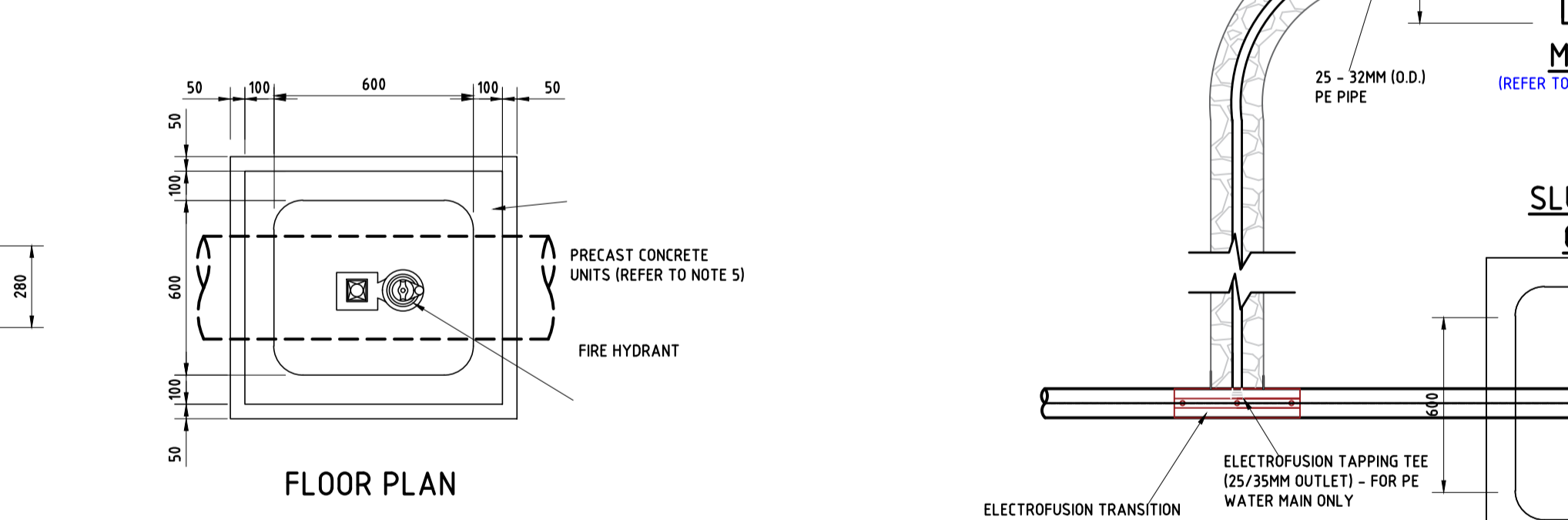
FLOOR PLAN

FIRE HYDRANT CHAMBER
(PRECAST CONCRETE CONSTRUCTION)

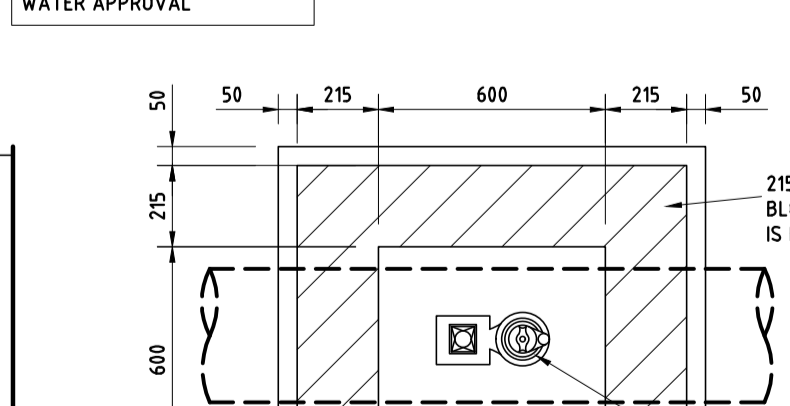
FIRE HYDRANT CHAMBER
(BLOCKWORK CONSTRUCTION)

OFF-LINE HYDRANT FOR POLYETHYLENE (P.E) PIPE

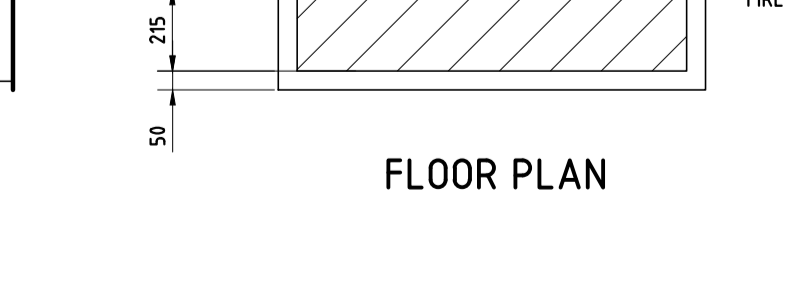
(1/20)



SECTION

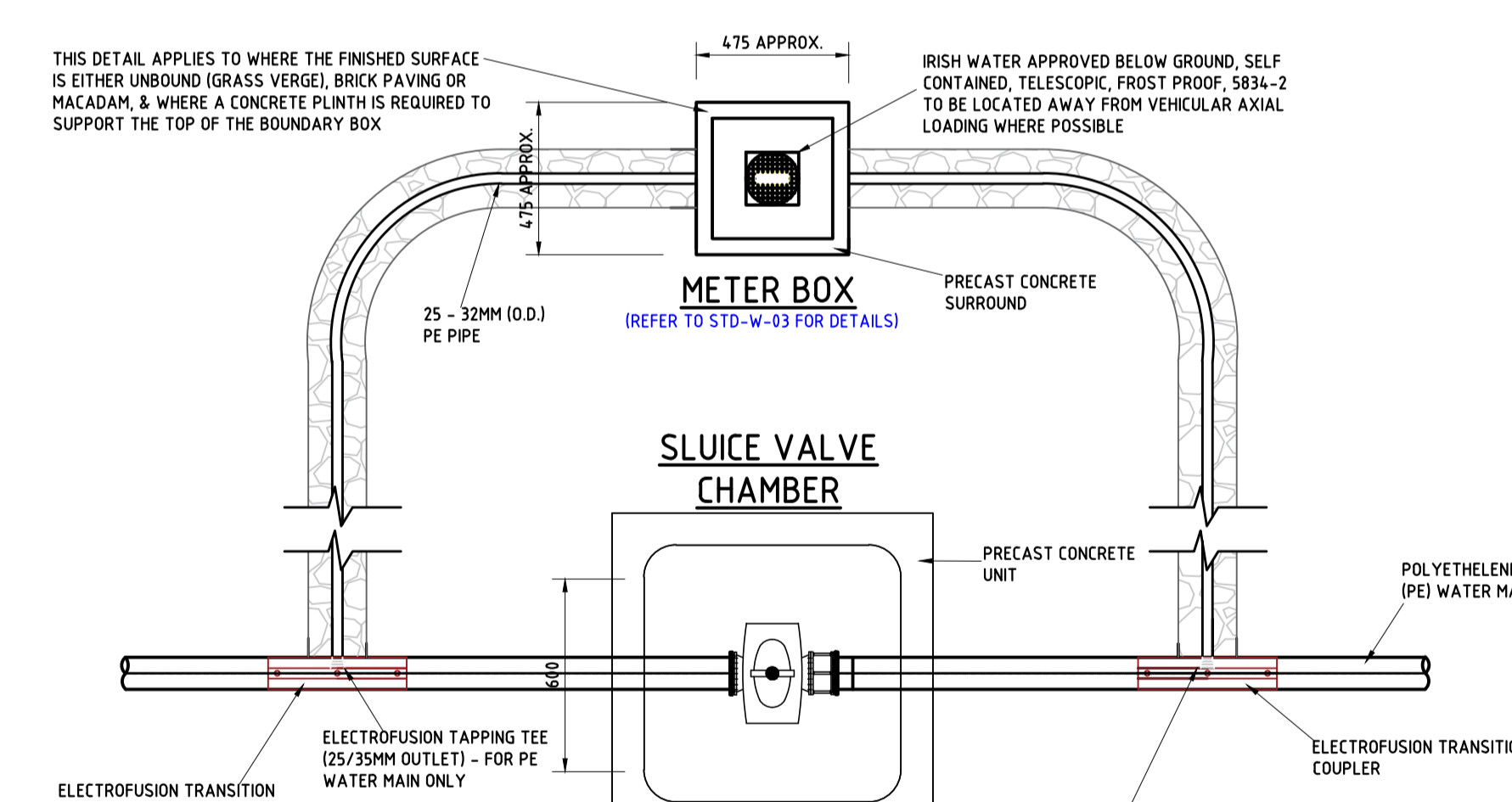


ROOF PLAN



FLOOR PLAN

POLYETHYLENE OPTION
BY-PASS FLOW METER CHAMBER



WATERMAIN TRENCH BACKFILL

(1/20)

PIPE DIAMETER 'A'(mm)	DEPTH OF BEDDING 'C'(mm)
200 OR LESS	150
250 OR GREATER	200

PIPE DIAMETER 'A'(mm)	TRENCH WIDTH 'B'(mm)
80	SEE IW-CDS
100	500
150	600
200	600
250	750
300	750
350	750
400	900
450	900

T1	18/08/2023	ISSUED FOR TENDER	JOR
REV.	DATE	DESCRIPTION	APPROVED

COPYRIGHT RESERVED- THIS DRAWING IS NOT TO BE USED FOR A PURPOSE OTHER THAN THAT FOR WHICH IT HAS BEEN ISSUED BY ALAN TRAYNOR CONSULTING ENGINEERS.
NOR IS IT TO BE COPIED OR REPRODUCED IN ANY MANNER WITHOUT WRITTEN CONSENT.

Alan Traynor Consulting Engineers Ltd

Unit 4, Baturbul Business Park, Creeny, Baturbul, Co.Cavan H84Y9A
TEL: (+353) 49922234
2nd Floor, 67-70 Meath St, Dublin 8 D08XV93
TEL: (+353) 19497881
Email: info@alantaynor.com Website: www.alantaynor.com

ISO 9001 CERTIFICATION EUROPE

CLIENT CAVAN COUNTY COUNCIL			
PROJECT TITLE PROPOSED RESIDENTIAL DEVELOPMENT AT ASHROVE, DERRYLURGAN, BALLYJAMESDUFF, CO. CAVAN			
DRAWING TITLE TYPICAL CONSTRUCTION DETAILS (SHEET 01 OF 02)			
SCALE AS SHOWN	DRAWN JOHN O'REILLY DATE AUGUST 2023	CHECKED LIAM MCELGUNN DATE AUGUST 2023	APPROVED ALAN TRAYNOR DATE AUGUST 2023
DRAWING No. 23-105-110			REV. T1