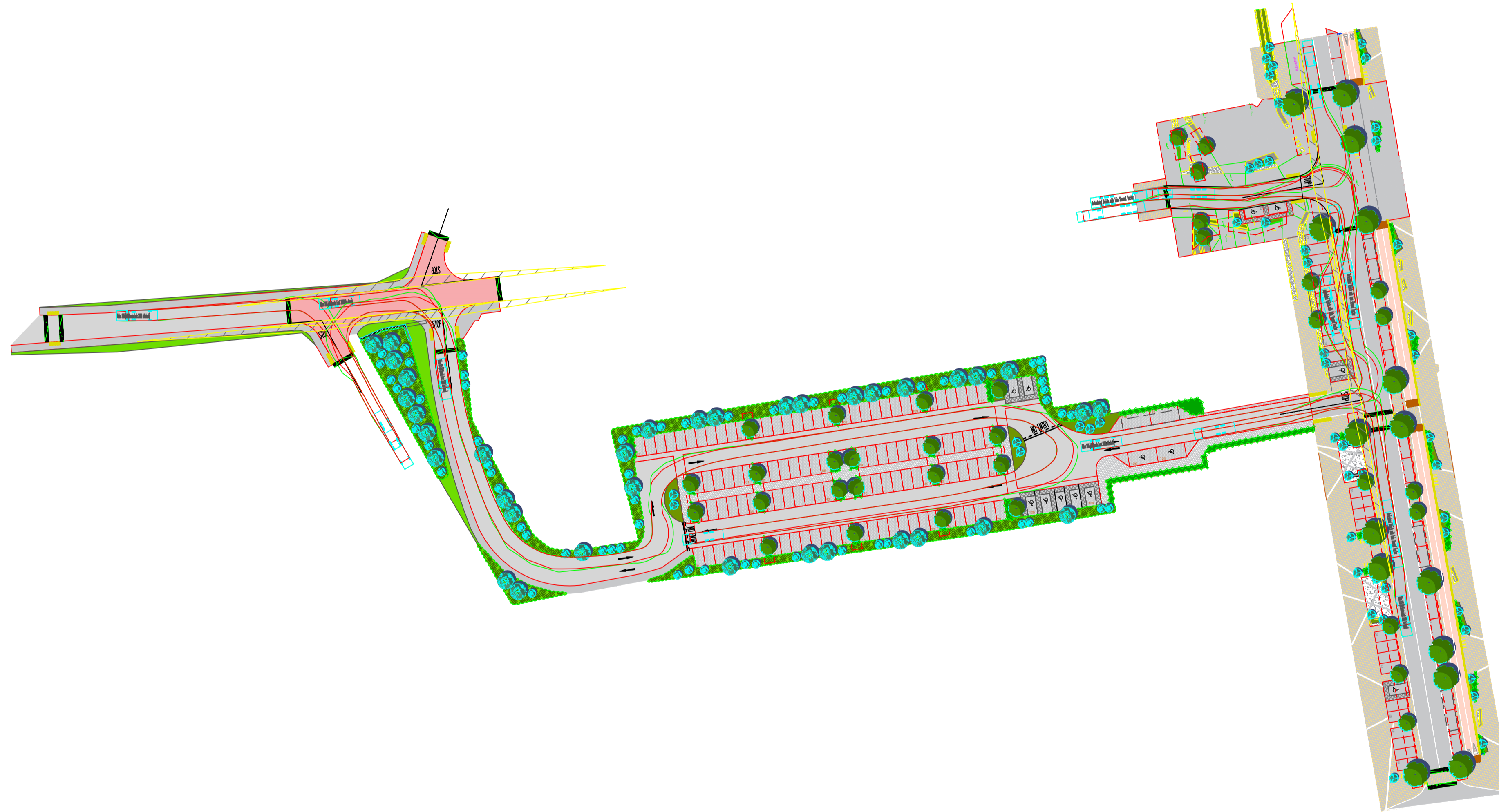

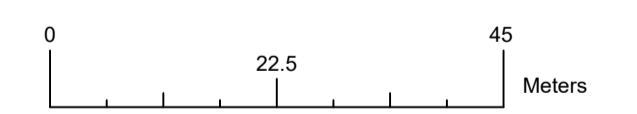


CYAL50233107
© Ordnance Survey Ireland. All rights reserved.



- NOTES:
1. FIGURED DIMENSIONS ONLY TO BE TAKEN FROM THIS DRAWING
 2. ALL DRAWINGS TO BE CHECKED BY THE CONTRACTOR ON SITE
- ENGINEER TO BE INFORMED BY THE CONTRACTOR OF ANY DISCREPANCIES BEFORE ANY WORKS COMMENCES
- ALL LEVELS SHOWN RELATE TO ORDNANCE SURVEY DATUM AT MALIN HEAD, THE GEOGRAPHIC COORDINATE SYSTEM IS TO IRISH TRANSVERSE MERCATOR (ITM)

Rev.	Date	Description	By	Chkd
D01	Dec 22	Draft Issue for review	MC	JN
Client				
 Comhairle Contae an Chabháin Cavan County Council				
Project				
Kingscourt Public Realm Enhancement Scheme				
Title				
Vehicle Tracking and Sightlines				
Sheet 1 of 10				



Scale @ A1:1:750

Prepared by:	Checked	Date
MC	JN	Dec 2022
Project Director	S. Kelly	
Drawing Status	Draft	

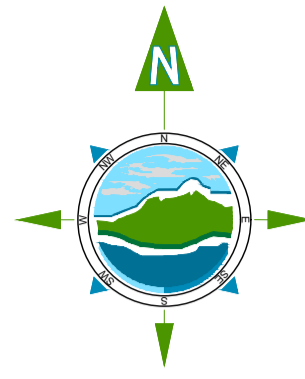


TOBIN Consulting Engineers will not be liable for any use of this document for any purpose other than that for which it was originally prepared and provided. Except where specifically and explicitly agreed in writing by TOBIN Consulting Engineers, as copyright holder, no part of this document may be reproduced or transmitted in any form and this document shall not be relied upon by any third party for any purpose.

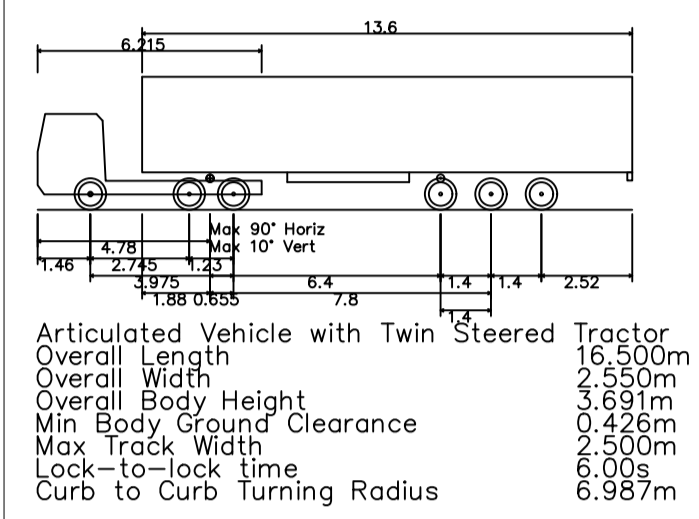
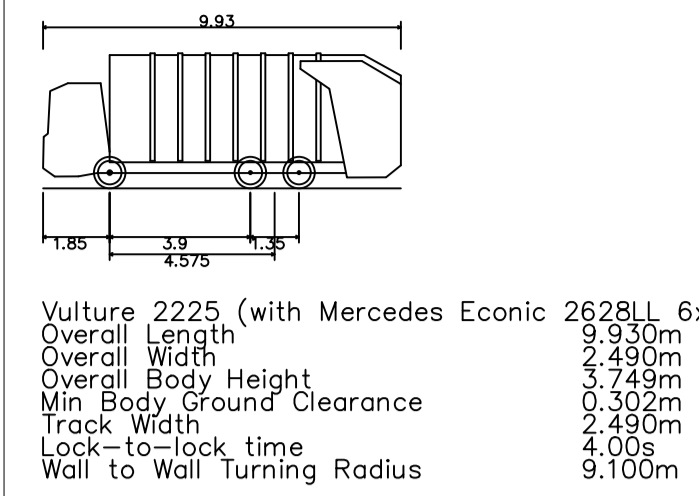
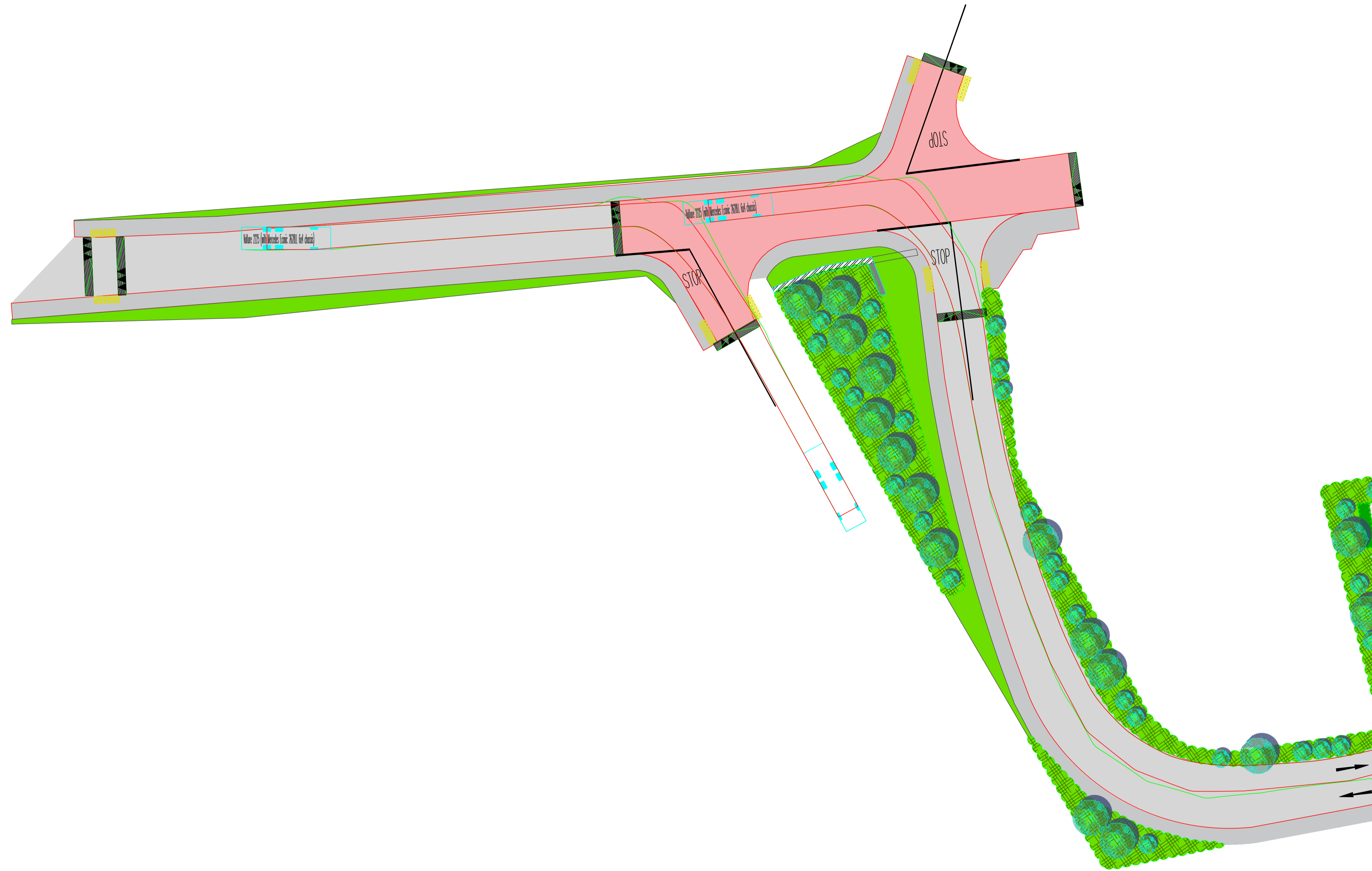
Drawing No. 11257 - 2000 D01

Layout Plan
Scale @ A1:1:750

ALL MATERIALS AND FINISHES SHOWN ARE SUBJECT TO FURTHER DETAILED DESIGN



CYAL50233107
© Ordnance Survey Ireland. All rights reserved.



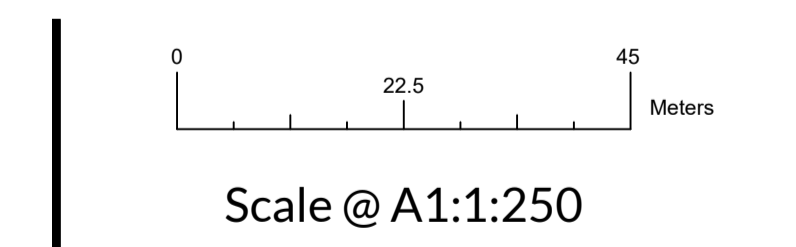
- NOTES:**
1. FIGURED DIMENSIONS ONLY TO BE TAKEN FROM THIS DRAWING
 2. ALL DRAWINGS TO BE CHECKED BY THE CONTRACTOR ON SITE
- ENGINEER TO BE INFORMED BY THE CONTRACTOR OF ANY DISCREPANCIES BEFORE ANY WORKS COMMENCES
- ALL LEVELS SHOWN RELATE TO ORDNANCE SURVEY DATUM AT MALIN HEAD, THE GEOGRAPHIC COORDINATE SYSTEM IS TO IRISH TRANSVERSE MERCATOR (ITM)

Rev.	Date	Description	By	Chkd
D01	Dec 22	Draft Issue for review	MC	JN

Client: Comhairle Contae an Chabháin, Cavan County Council

Project: Kingscourt Public Realm Enhancement Scheme

Title: Vehicle Tracking and Sightlines
Sheet 2 of 10



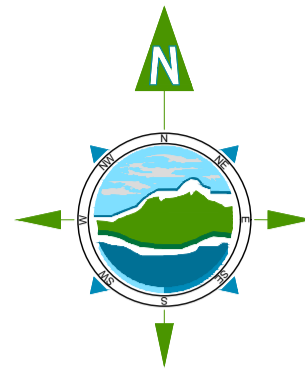
Prepared by: MC	Checked: JN	Date: Dec 2022
Project Director: S. Kelly		
Drawing Status: Draft		



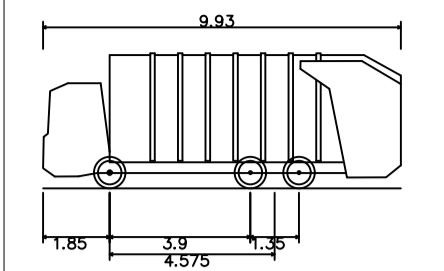
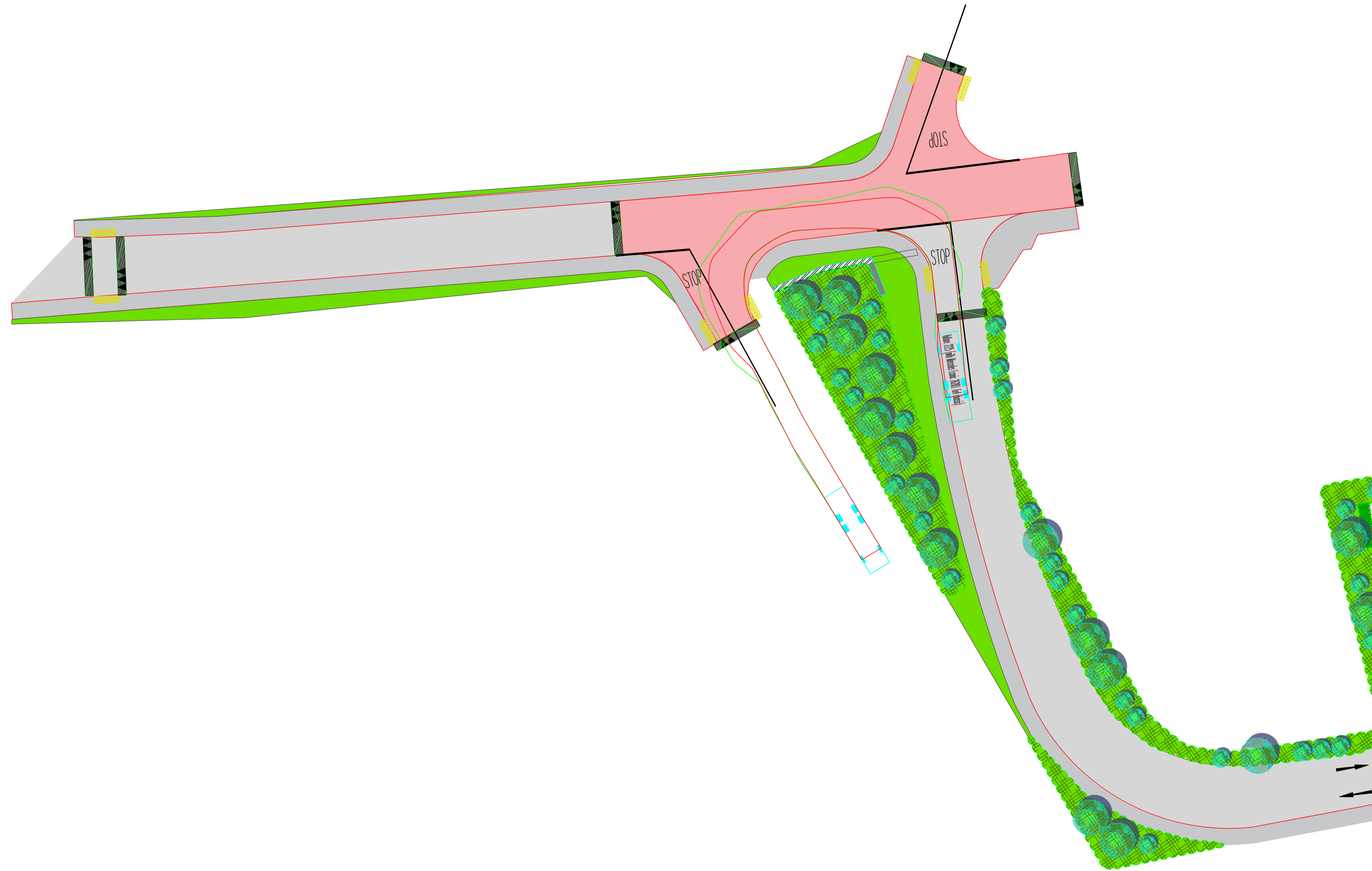
Drawing No. 11257 - 2001 Issue D01

Layout Plan
Scale @ A1:1:250

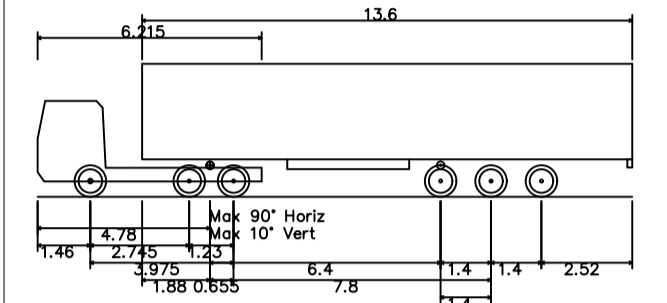
ALL MATERIALS AND FINISHES SHOWN ARE SUBJECT TO FURTHER DETAILED DESIGN



CYAL50233107
© Ordnance Survey Ireland. All rights reserved.



Vulture 2225 (with Mercedes Econic 2628L 6x4)
Overall Length 9.930m
Overall Width 2.490m
Overall Body Height 3.749m
Min. Body Ground Clearance 0.302m
Track Width 2.490m
Lock-to-lock time 4.00s
Wall to Wall Turning Radius 9.100m



Articulated Vehicle with Twin Steered Tractor
Overall Length 16.500m
Overall Width 2.500m
Overall Body Height 3.691m
Min. Body Ground Clearance 0.426m
Max. Track Width 2.500m
Lock-to-lock time 6.00s
Curb to Curb Turning Radius 6.987m

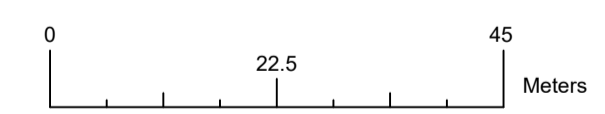
- NOTES:
- FIGURED DIMENSIONS ONLY TO BE TAKEN FROM THIS DRAWING
 - ALL DRAWINGS TO BE CHECKED BY THE CONTRACTOR ON SITE
- ENGINEER TO BE INFORMED BY THE CONTRACTOR OF ANY DISCREPANCIES BEFORE ANY WORKS COMMENCES
- ALL LEVELS SHOWN RELATE TO ORDNANCE SURVEY DATUM AT MALIN HEAD, THE GEOGRAPHIC COORDINATE SYSTEM IS TO IRISH TRANSVERSE MERCATOR (ITM)

Rev.	Date	Description	By	Chkd
D01	Dec 22	Draft Issue for review	MC	JN

Client Comhairle Contae an Chabháin
Cavan County Council

Project
Kingscourt Public Realm Enhancement Scheme

Title
Vehicle Tracking and Sightlines
Sheet 3 of 10



Scale @ A1:1:250

Prepared by: MC	Checked JN	Date Dec 2022
Project Director	S. Kelly	
Drawing Status	Draft	

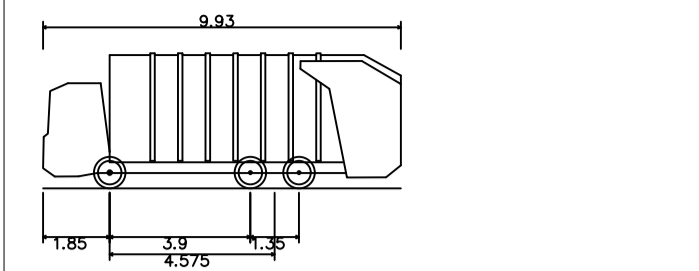


Drawing No. 11257 - 2002 Issue D01

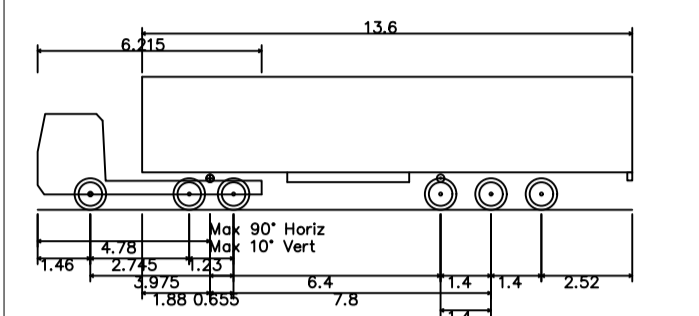
Layout Plan
Scale @ A1:1:250

ALL MATERIALS AND FINISHES SHOWN ARE SUBJECT TO FURTHER DETAILED DESIGN

CYAL50233107
 © Ordnance Survey Ireland. All rights reserved.



Vulture 2225 (with Mercedes Econic 2628L 6x4)
 Overall Length 9.930m
 Overall Width 2.490m
 Overall Body Height 3.749m
 Min Body Ground Clearance 0.302m
 Track Width 2.490m
 Lock-to-lock time 4.00s
 Wall to Wall Turning Radius 9.100m



Articulated Vehicle with Twin Steered Tractor
 Overall Length 16.500m
 Overall Width 2.500m
 Overall Body Height 3.691m
 Min Body Ground Clearance 0.426m
 Max Track Width 2.500m
 Lock-to-lock time 6.00s
 Curb to Curb Turning Radius 6.987m

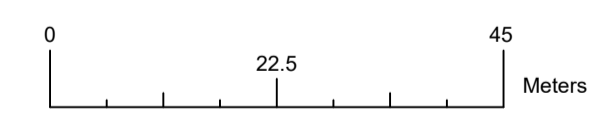
- NOTES:
- FIGURED DIMENSIONS ONLY TO BE TAKEN FROM THIS DRAWING
 - ALL DRAWINGS TO BE CHECKED BY THE CONTRACTOR ON SITE
- ENGINEER TO BE INFORMED BY THE CONTRACTOR OF ANY DISCREPANCIES BEFORE ANY WORKS COMMENCES
- ALL LEVELS SHOWN RELATE TO ORDNANCE SURVEY DATUM AT MALIN HEAD, THE GEOGRAPHIC COORDINATE SYSTEM IS TO IRISH TRANSVERSE MERCATOR (ITM)

Rev.	Date	Description	By	Chkd
D01	Dec 22	Draft Issue for review	MC	JN

Client: Comhairle Contae an Chabháin, Cavan County Council

Project: Kingscourt Public Realm Enhancement Scheme

Title: Vehicle Tracking and Sightlines
 Sheet 4 of 10



Scale @ A1:1:250

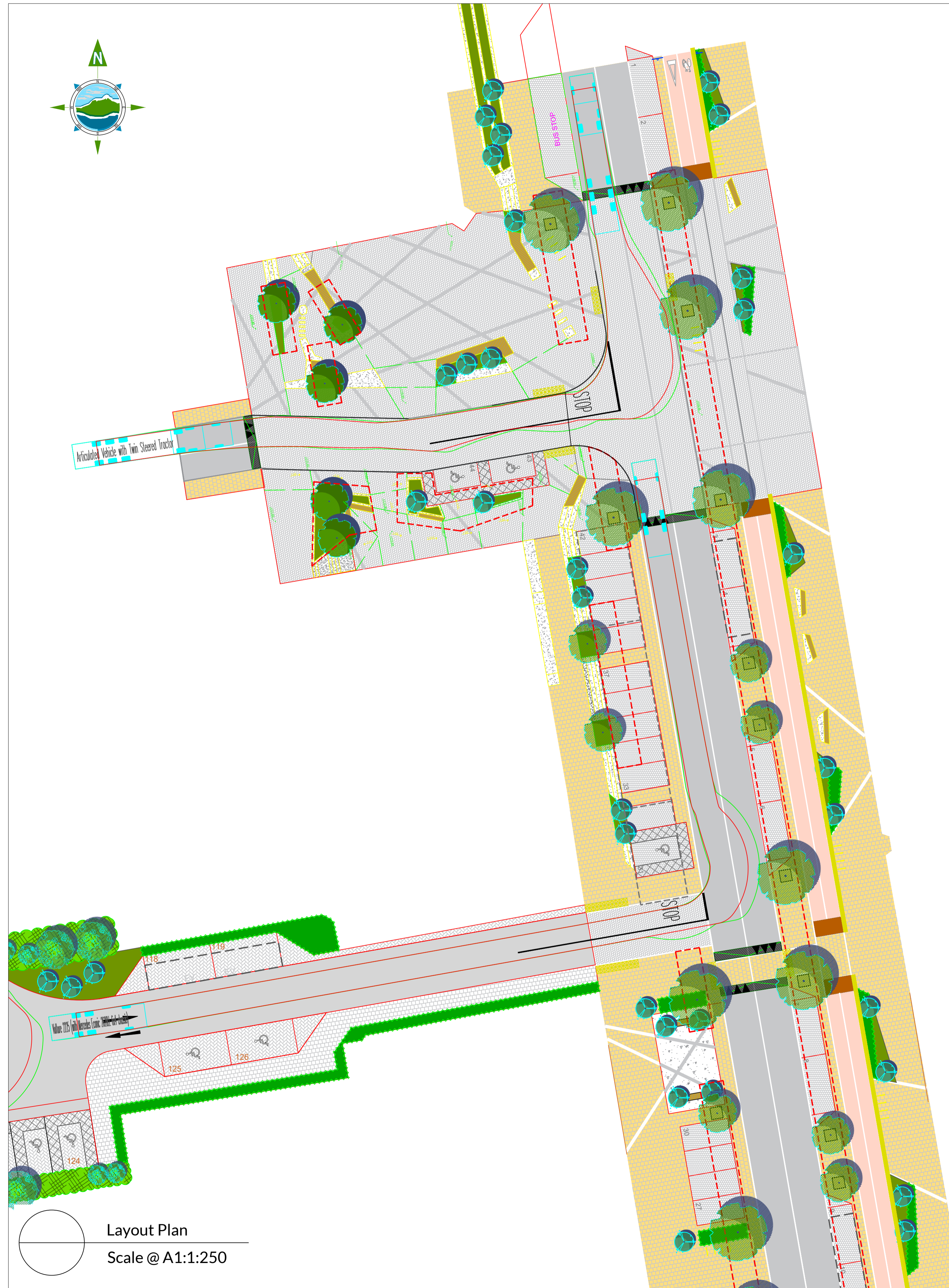
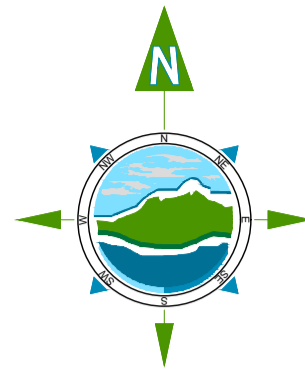
Prepared by: MC	Checked: JN	Date: Dec 2022
Project Director: S. Kelly		
Drawing Status: Draft		

ALL MATERIALS AND FINISHES SHOWN ARE SUBJECT TO FURTHER DETAILED DESIGN

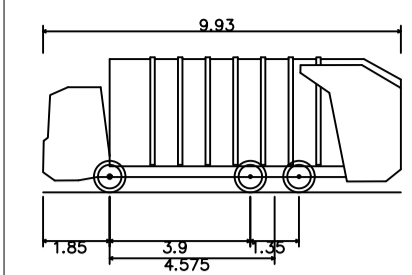
Layout Plan
 Scale @ A1:1:250



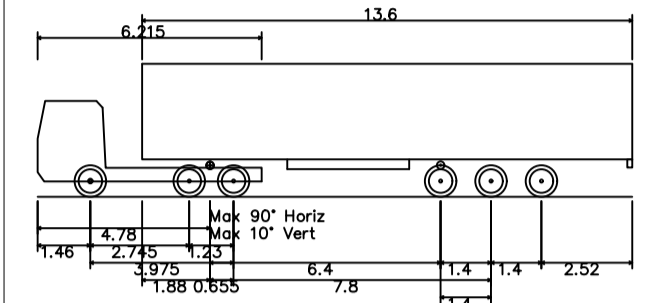
Drawing No. 11257 - 2003 D01



CYAL50233107
© Ordnance Survey Ireland. All rights reserved.



Vulture 2225 (with Mercedes Econic 2628L 6x4)
Overall Length 9.930m
Overall Width 2.490m
Overall Body Height 3.749m
Min Body Ground Clearance 0.302m
Track Width 2.490m
Lock-to-lock time 4.00s
Wall to Wall Turning Radius 9.100m



Articulated Vehicle with Twin Steered Tractor
Overall Length 16.500m
Overall Width 2.500m
Overall Body Height 3.691m
Min Body Ground Clearance 0.426m
Max Track Width 2.500m
Lock-to-lock time 6.00s
Curb to Curb Turning Radius 6.987m

NOTES:

1. FIGURED DIMENSIONS ONLY TO BE TAKEN FROM THIS DRAWING

2. ALL DRAWINGS TO BE CHECKED BY THE CONTRACTOR ON SITE

ENGINEER TO BE INFORMED BY THE CONTRACTOR OF ANY DISCREPANCIES BEFORE ANY WORKS COMMENCES

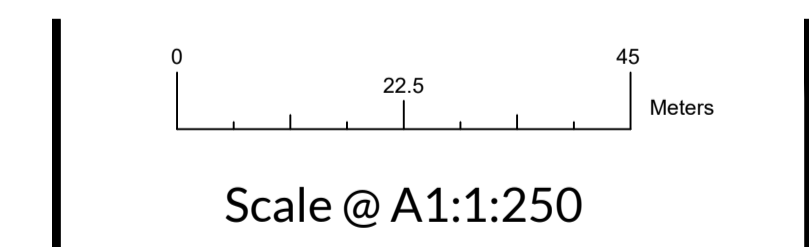
ALL LEVELS SHOWN RELATE TO ORDNANCE SURVEY DATUM AT MALIN HEAD, THE GEOGRAPHIC COORDINATE SYSTEM IS TO IRISH TRANSVERSE MERCATOR (ITM)

Rev.	Date	Description	By	Chkd
D01	Dec 22	Draft Issue for review	MC	JN

Client: Comhairle Contae an Chabháin
Cavan County Council

Project: Kingscourt Public Realm Enhancement Scheme

Title: Vehicle Tracking and Sightlines
Sheet 5 of 10



Prepared by: MC	Checked: JN	Date: Dec 2022
Project Director: S. Kelly		
Drawing Status: Draft		

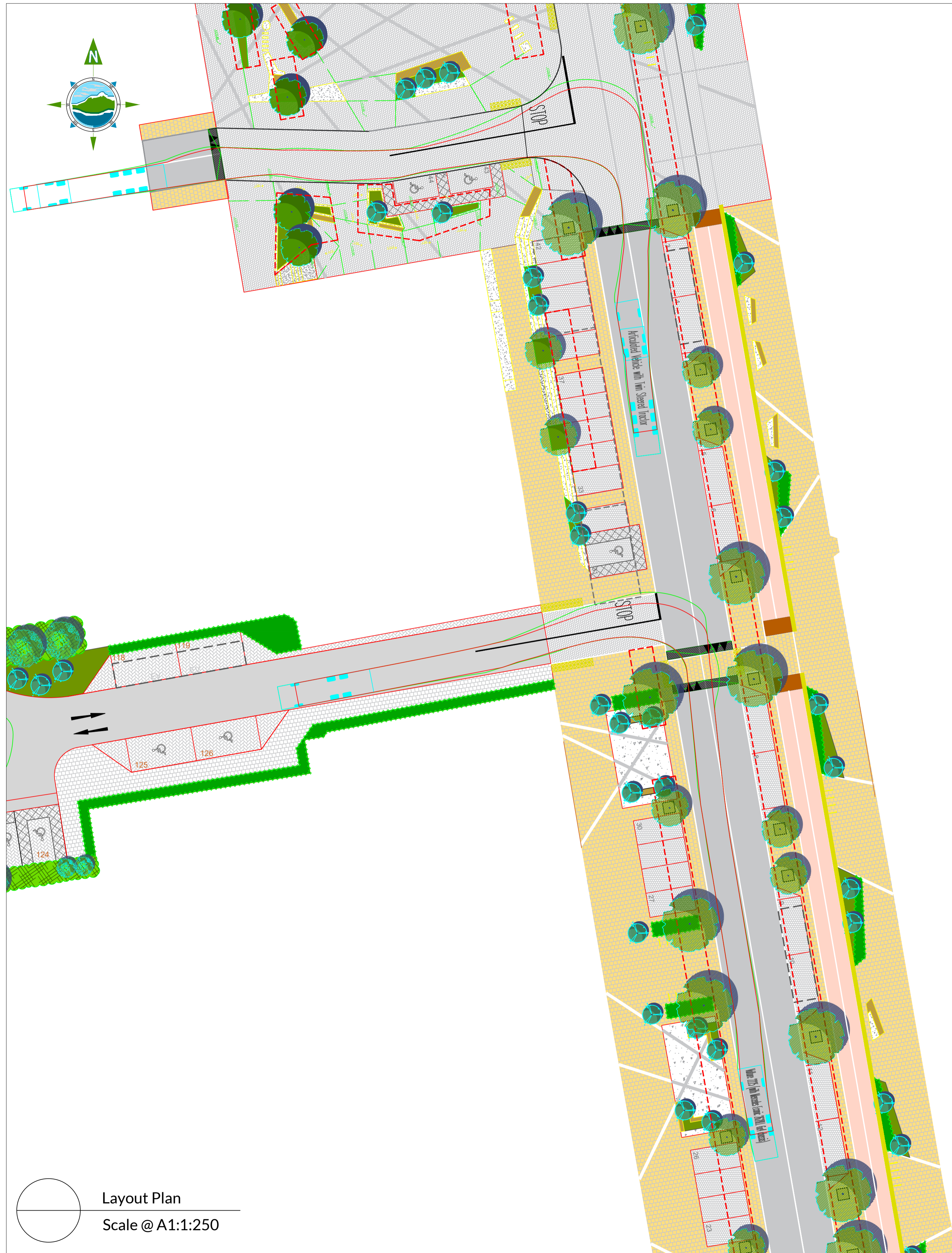


TOBIN CONSULTING ENGINEERS
CUNNANE STRATTON REYNOLDS
LAND PLANNING & DESIGN
S architects
DRAWING ARCHITECTS

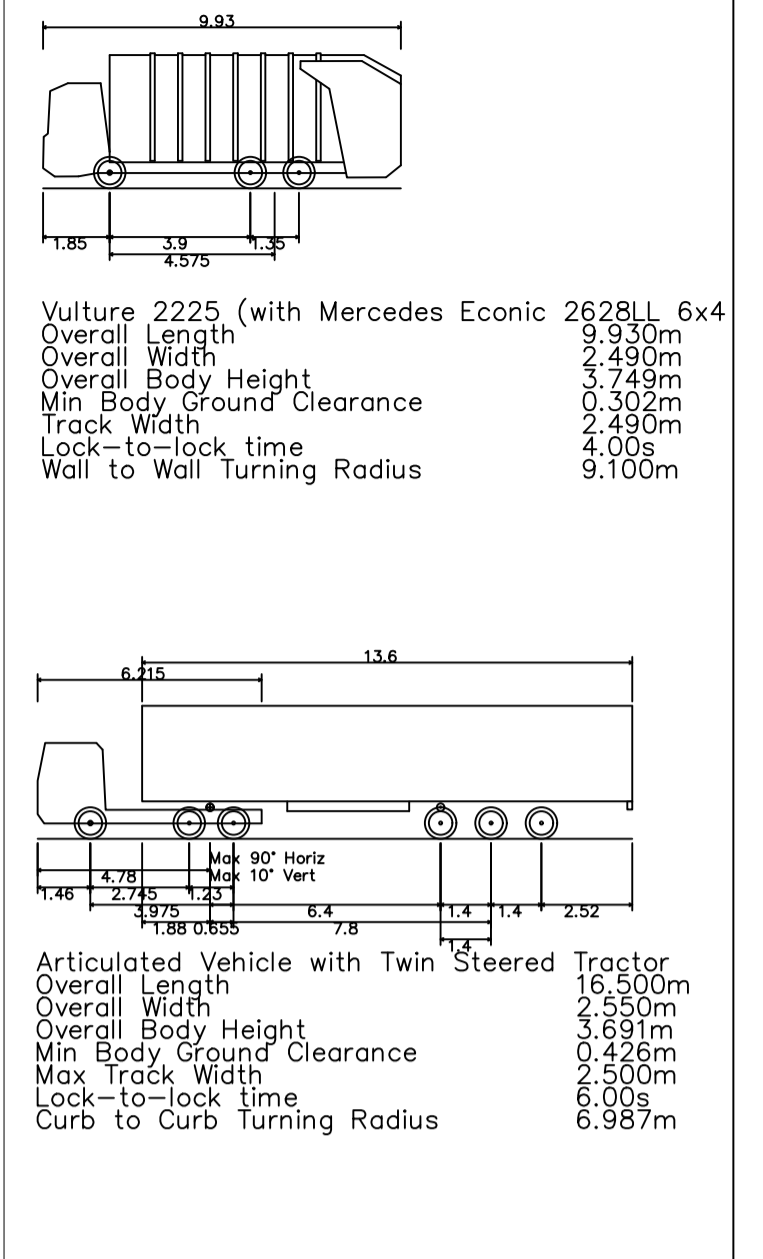
Issue: 1
Drawing No. 11257 - 2004 D01

Layout Plan
Scale @ A1:1:250

ALL MATERIALS AND FINISHES SHOWN ARE SUBJECT TO FURTHER DETAILED DESIGN



CYAL50233107
 © Ordnance Survey Ireland. All rights reserved.



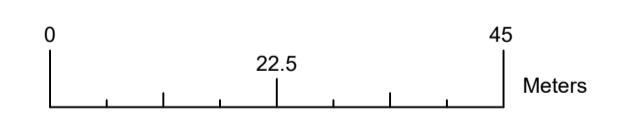
- NOTES:**
1. FIGURED DIMENSIONS ONLY TO BE TAKEN FROM THIS DRAWING
 2. ALL DRAWINGS TO BE CHECKED BY THE CONTRACTOR ON SITE
- ENGINEER TO BE INFORMED BY THE CONTRACTOR OF ANY DISCREPANCIES BEFORE ANY WORKS COMMENCES
- ALL LEVELS SHOWN RELATE TO ORDNANCE SURVEY DATUM AT MALIN HEAD, THE GEOGRAPHIC COORDINATE SYSTEM IS TO IRISH TRANSVERSE MERCATOR (ITM)

Rev.	Date	Description	By	Chkd
D01	Dec 22	Draft Issue for review	MC	JN

Client: Comhairle Contae an Chabháin
Cavan County Council

Project: Kingscourt Public Realm Enhancement Scheme

Title: Vehicle Tracking and Sightlines
Sheet 6 of 10



Scale @ A1:1:250

Prepared by:	Checked	Date
MC	JN	Dec 2022
Project Director	S. Kelly	
Drawing Status	Draft	

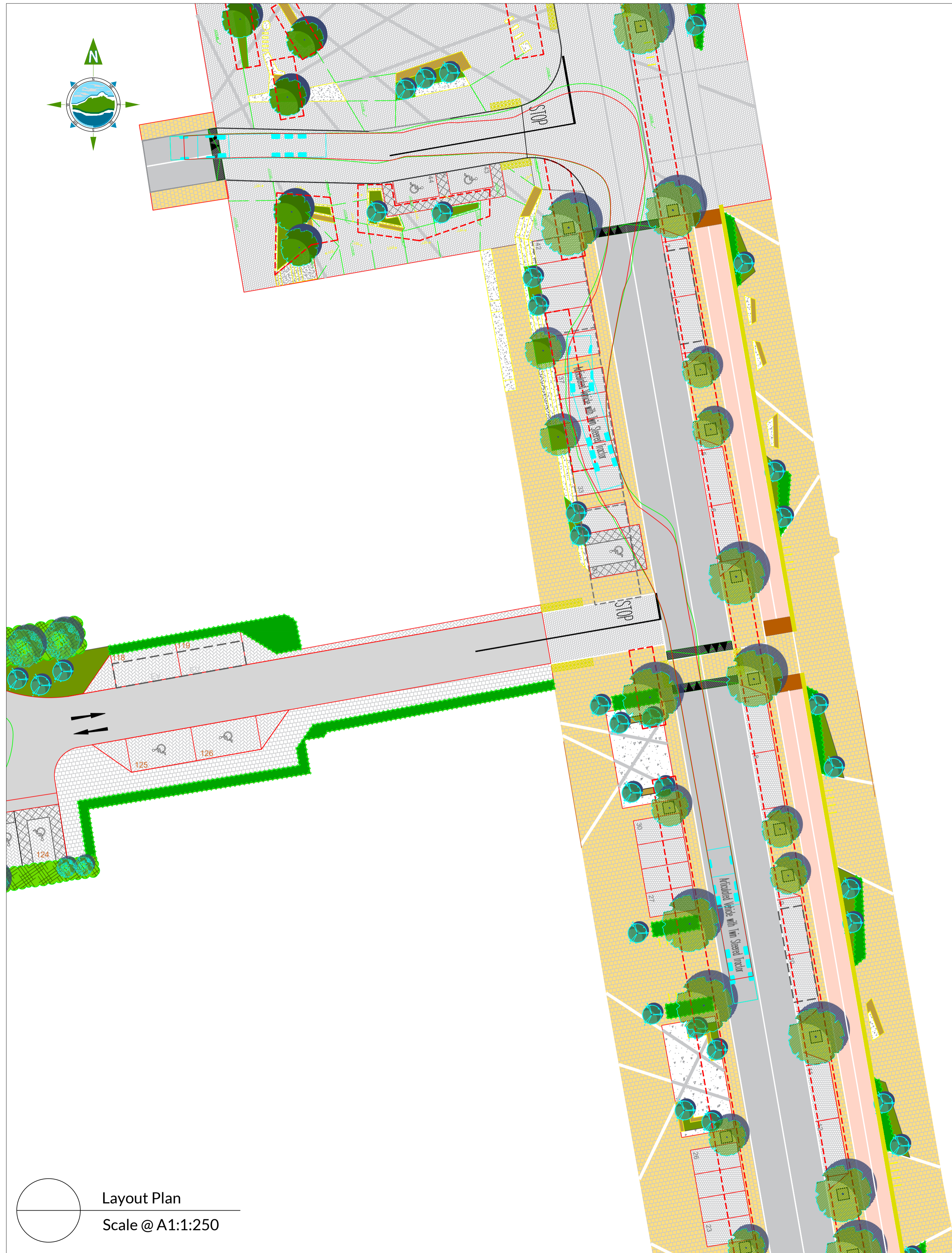
ALL MATERIALS AND FINISHES SHOWN ARE SUBJECT TO FURTHER DETAILED DESIGN



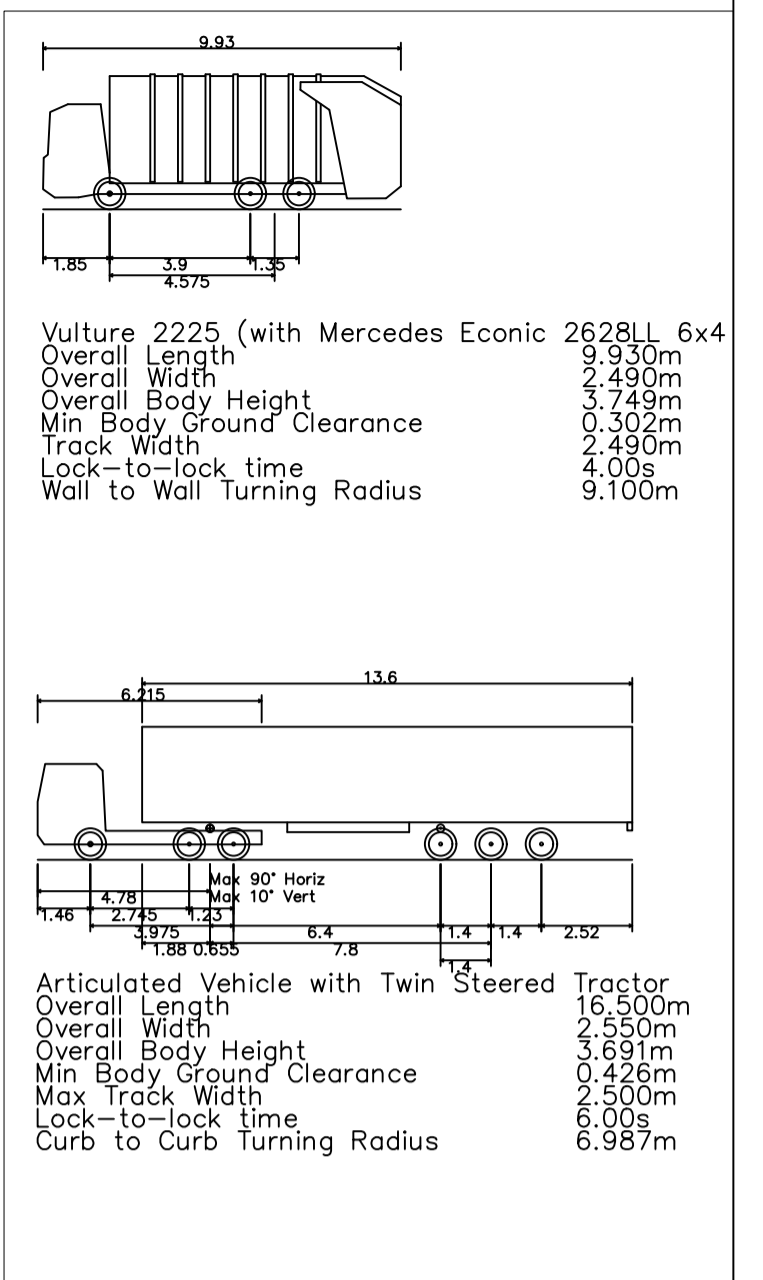
TOBIN Consulting Engineers will not be liable for any use of this document for any purpose other than that for which it was originally prepared and provided. Except where specifically and explicitly agreed in writing by TOBIN Consulting Engineers, no copyright holder, no part of this document may be reproduced or transmitted in any form and this document shall not be relied upon by any third party for any purpose.

Drawing No. **11257 - 2005** ISSUE **D01**

Layout Plan
 Scale @ A1:1:250



CYAL50233107
 © Ordnance Survey Ireland. All rights reserved.



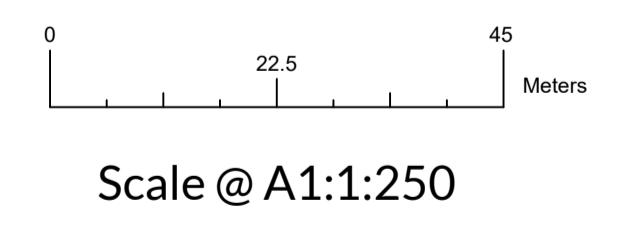
- NOTES:
1. FIGURED DIMENSIONS ONLY TO BE TAKEN FROM THIS DRAWING
 2. ALL DRAWINGS TO BE CHECKED BY THE CONTRACTOR ON SITE
- ENGINEER TO BE INFORMED BY THE CONTRACTOR OF ANY DISCREPANCIES BEFORE ANY WORKS COMMENCES
- ALL LEVELS SHOWN RELATE TO ORDNANCE SURVEY DATUM AT MALIN HEAD, THE GEOGRAPHIC COORDINATE SYSTEM IS TO IRISH TRANSVERSE MERCATOR (ITM)

Rev.	Date	Description	By	Chkd
D01	Dec 22	Draft Issue for review	MC	JN

Client: Comhairle Contae an Chabháin, Cavan County Council

Project: Kingscourt Public Realm Enhancement Scheme

Title: Vehicle Tracking and Sightlines
 Sheet 7 of 10



Prepared by: MC	Checked: JN	Date: Dec 2022
Project Director: S. Kelly		
Drawing Status: Draft		



TOBIN CONSULTING ENGINEERS will not be liable for any use of this document for any purpose other than that for which it was originally prepared and provided. Except where specifically and explicitly agreed in writing by TOBIN Consulting Engineers, no copyright holder, no part of this document may be reproduced or transmitted in any form and this document shall not be relied upon by any third party for any purpose.

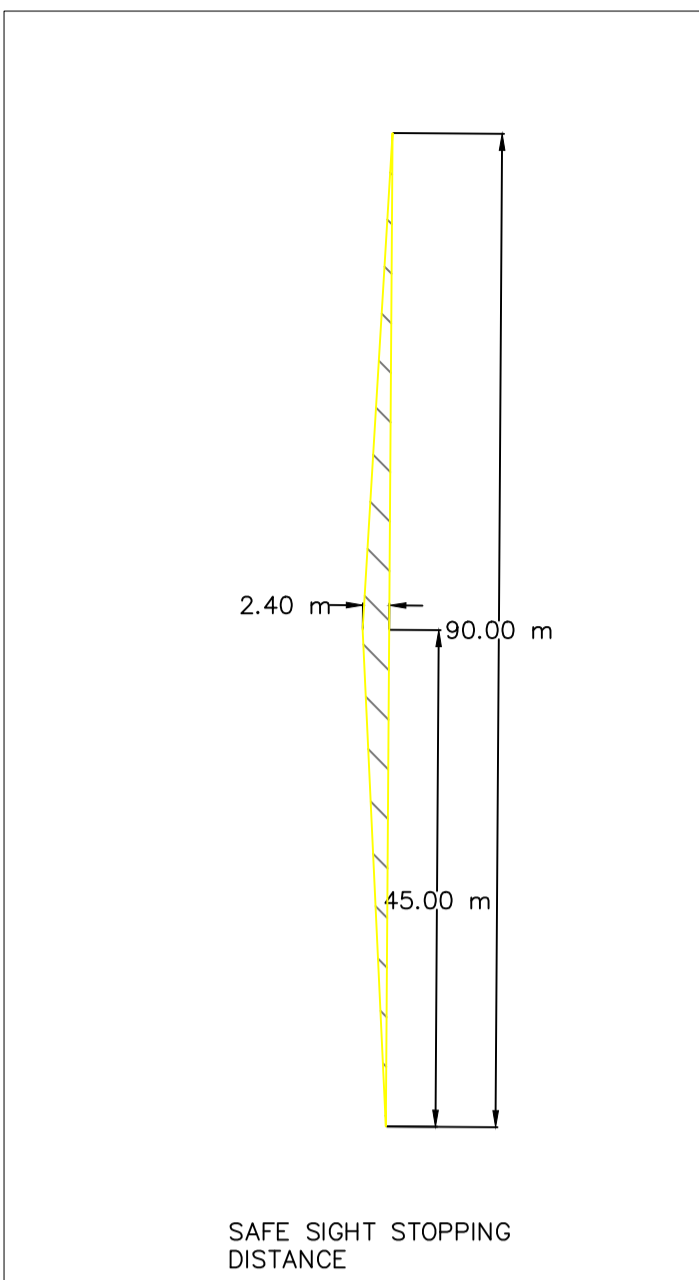
Drawing No. 11257 - 2006 ISSUE D01

Layout Plan
 Scale @ A1:1:250

ALL MATERIALS AND FINISHES SHOWN ARE SUBJECT TO FURTHER DETAILED DESIGN



CYAL50233107
 © Ordnance Survey Ireland. All rights reserved.



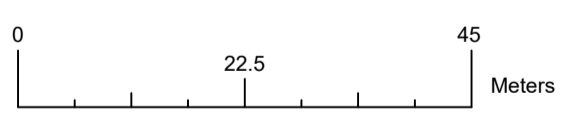
- NOTES:**
1. FIGURED DIMENSIONS ONLY TO BE TAKEN FROM THIS DRAWING
 2. ALL DRAWINGS TO BE CHECKED BY THE CONTRACTOR ON SITE
- ENGINEER TO BE INFORMED BY THE CONTRACTOR OF ANY DISCREPANCIES BEFORE ANY WORKS COMMENCES
- ALL LEVELS SHOWN RELATE TO ORDNANCE SURVEY DATUM AT MALIN HEAD, THE GEOGRAPHIC COORDINATE SYSTEM IS TO IRISH TRANSVERSE MERCATOR (ITM)

Rev.	Date	Description	By	Chkd
D01	Dec 22	Draft Issue for review	MC	JN

Client: Comhairle Contae an Chabháin
Cavan County Council

Project: Kingscourt Public Realm Enhancement Scheme

Title: Vehicle Tracking and Sightlines
Sheet 8 of 10



Scale @ A1:1:250

Prepared by: MC	Checked JN	Date Dec 2022
Project Director	S. Kelly	
Drawing Status	Draft	

ALL MATERIALS AND FINISHES SHOWN ARE SUBJECT TO FURTHER DETAILED DESIGN

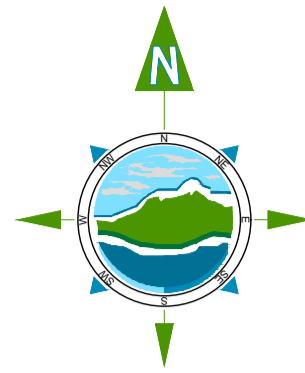
Layout Plan
 Scale @ A1:1:250

TOBIN CONSULTING ENGINEERS
 CUNNANE STRATTON REYNOLDS LAND PLANNING & DESIGN

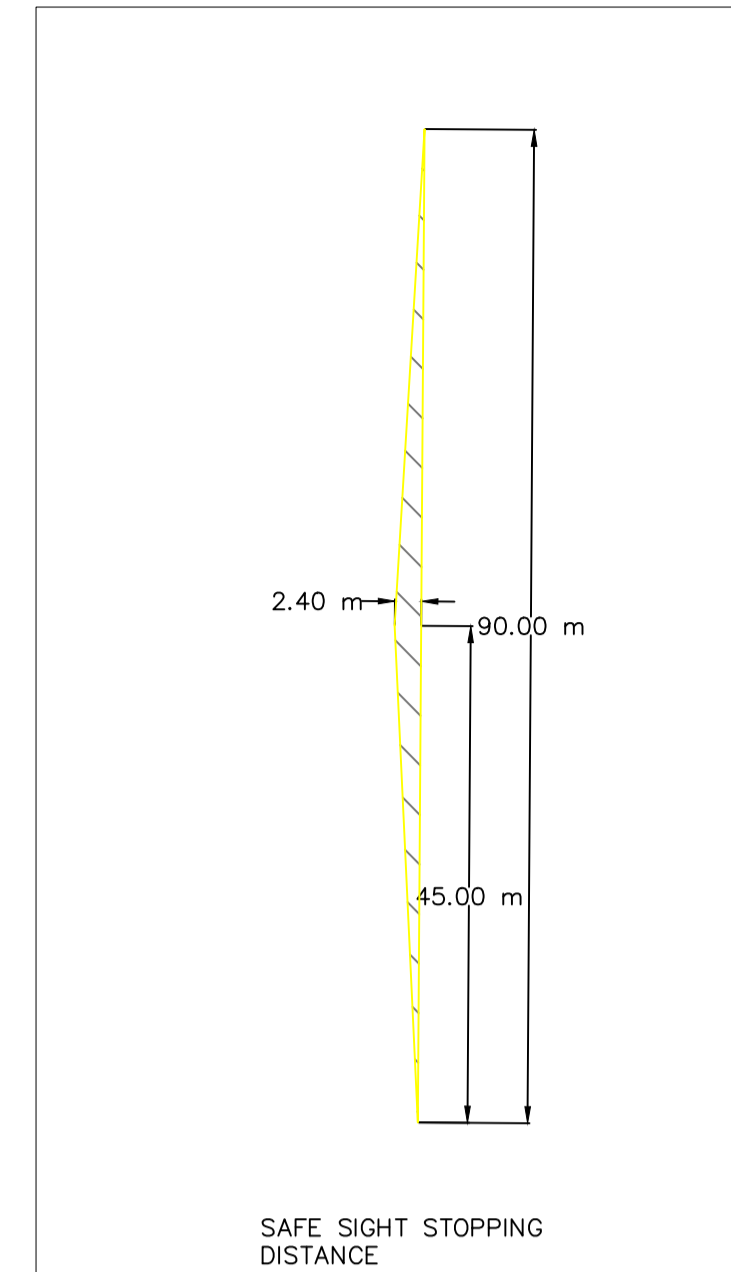
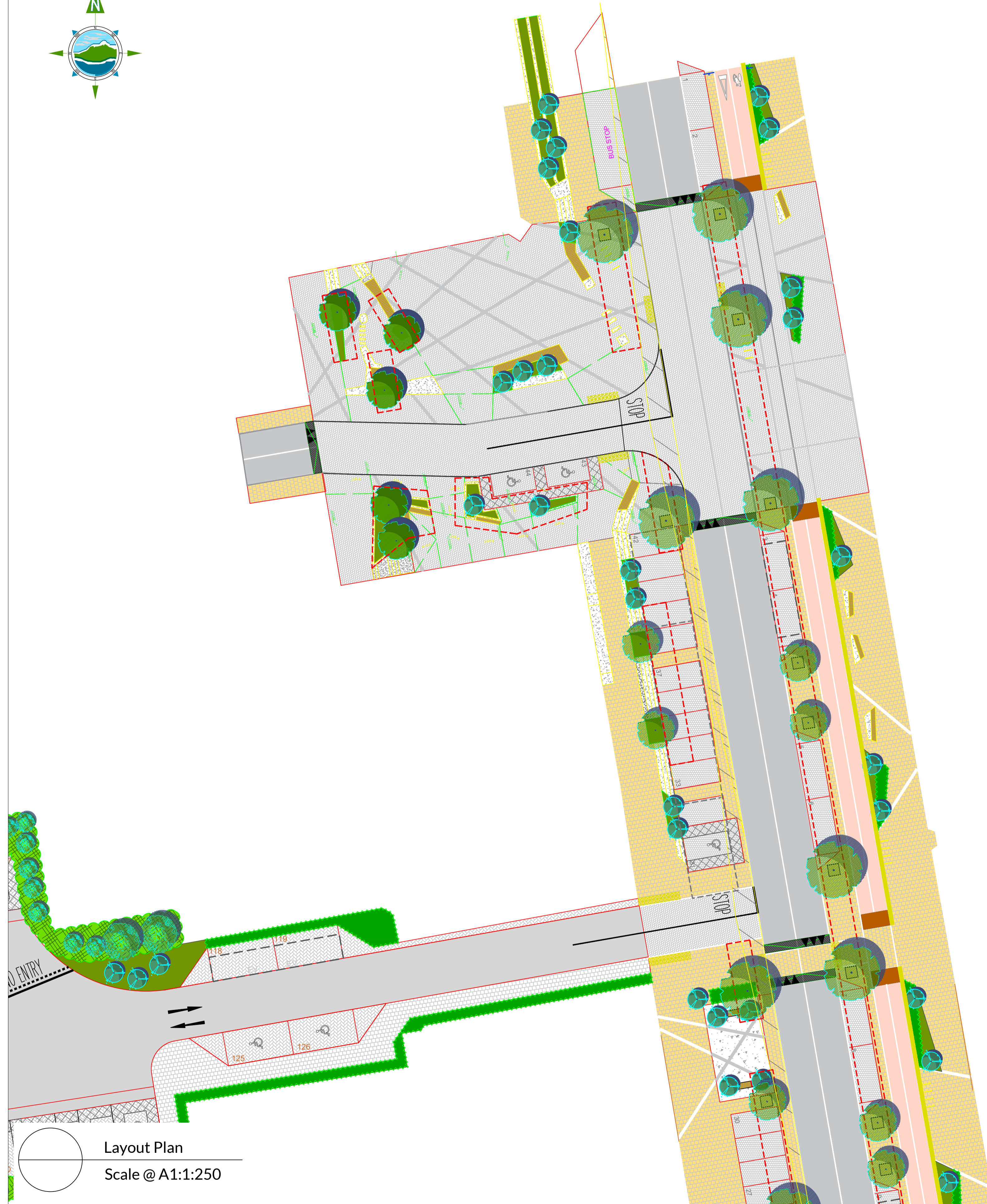
architects
 WALL ARCHITECTS

TOBIN Consulting Engineers will not be liable for any use of this document for any purpose other than that for which it was originally prepared and provided. Except where specifically and explicitly agreed in writing by TOBIN Consulting Engineers, as copyright holder, no part of this document may be reproduced or transmitted in any form and this document shall not be relied upon by any third party for any purpose.

Drawing No. **11257 - 2007** ISSUE **D01**



CYAL50233107
© Ordnance Survey Ireland. All rights reserved.



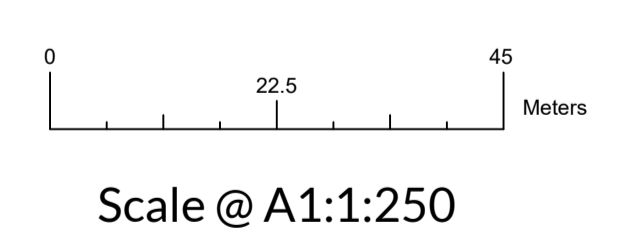
- NOTES:
1. FIGURED DIMENSIONS ONLY TO BE TAKEN FROM THIS DRAWING
 2. ALL DRAWINGS TO BE CHECKED BY THE CONTRACTOR ON SITE
- ENGINEER TO BE INFORMED BY THE CONTRACTOR OF ANY DISCREPANCIES BEFORE ANY WORKS COMMENCES
- ALL LEVELS SHOWN RELATE TO ORDNANCE SURVEY DATUM AT MALIN HEAD, THE GEOGRAPHIC COORDINATE SYSTEM IS TO IRISH TRANSVERSE MERCATOR (ITM)

Rev.	Date	Description	By	Chkd
D01	Dec 22	Draft Issue for review	MC	JN

Client: Comhairle Contae an Chabháin
Cavan County Council

Project: Kingscourt Public Realm Enhancement Scheme

Title: Vehicle Tracking and Sightlines
Sheet 9 of 10



Prepared by: MC	Checked: JN	Date: Dec 2022
Project Director: S. Kelly		
Drawing Status: Draft		

TOBIN CONSULTING ENGINEERS
CUNNANE STRATTON REYNOLDS LAND PLANNING & DESIGN

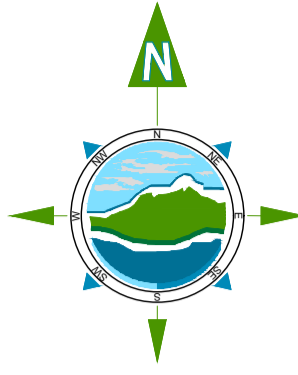
architects WALL ARCHITECTS

TOBIN Consulting Engineers will not be liable for any use of this document for any purpose other than that for which it was originally prepared and provided. Except where specifically and explicitly agreed in writing by TOBIN Consulting Engineers, no copyright holder, no part of this document may be reproduced or transmitted in any form and this document shall not be relied upon by any third party for any purpose.

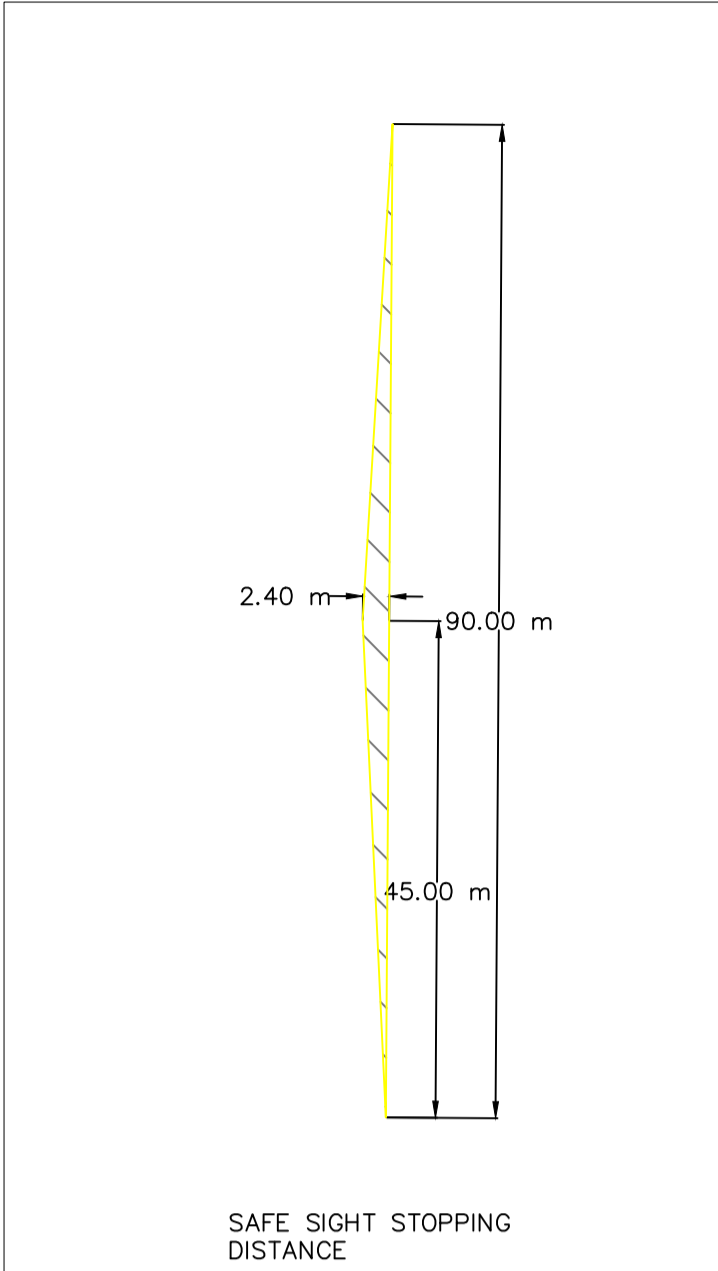
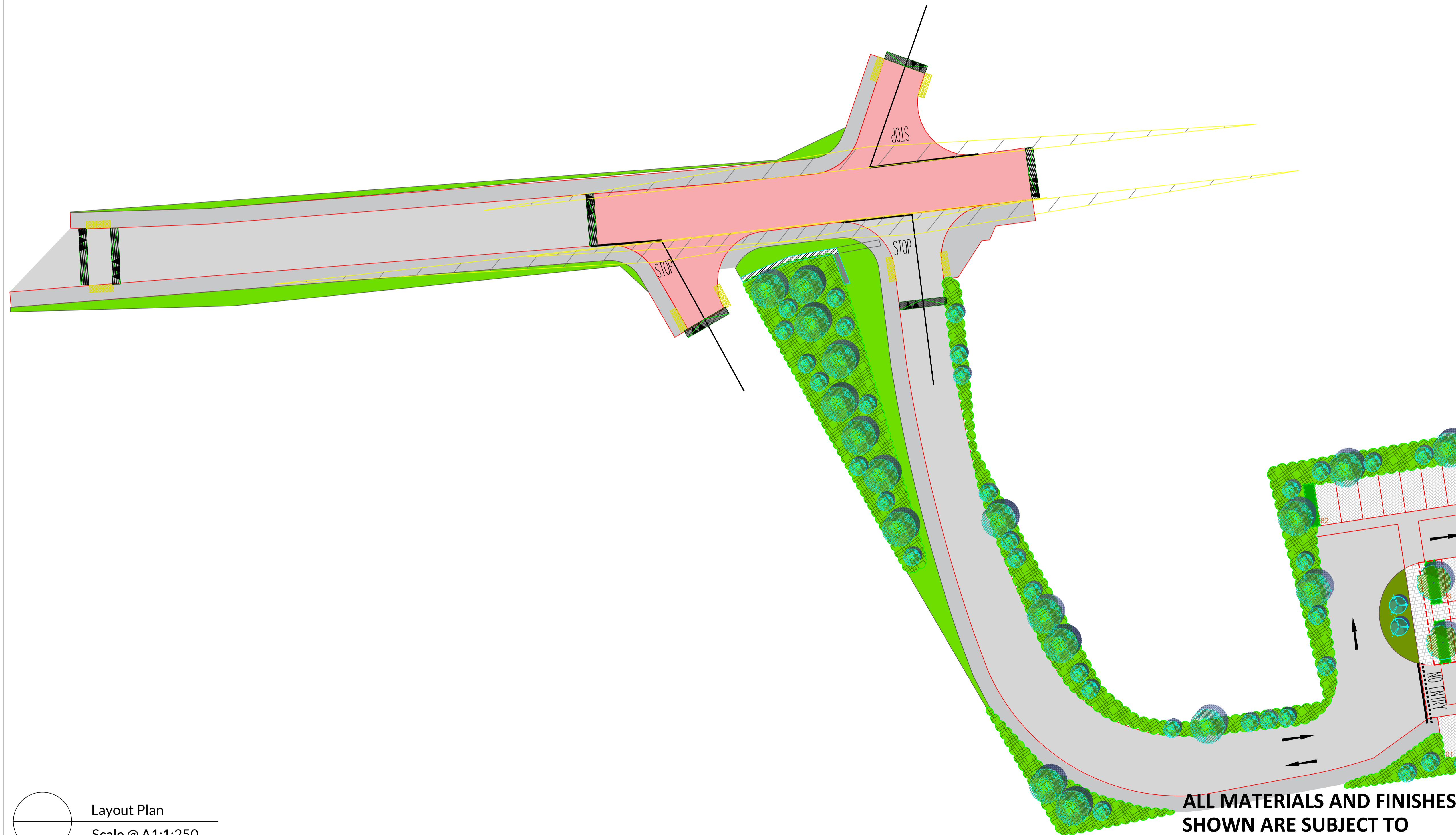
Drawing No. 11257 - 2008 D01

ALL MATERIALS AND FINISHES SHOWN ARE SUBJECT TO FURTHER DETAILED DESIGN

Layout Plan
Scale @ A1:1:250



CYAL50233107
© Ordnance Survey Ireland. All rights reserved.



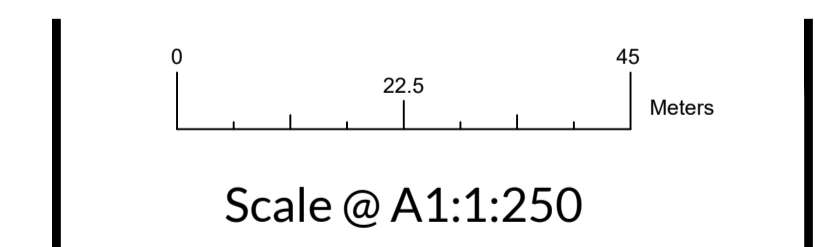
- NOTES:**
1. FIGURED DIMENSIONS ONLY TO BE TAKEN FROM THIS DRAWING
 2. ALL DRAWINGS TO BE CHECKED BY THE CONTRACTOR ON SITE
- ENGINEER TO BE INFORMED BY THE CONTRACTOR OF ANY DISCREPANCIES BEFORE ANY WORKS COMMENCES
- ALL LEVELS SHOWN RELATE TO ORDNANCE SURVEY DATUM AT MALIN HEAD, THE GEOGRAPHIC COORDINATE SYSTEM IS TO IRISH TRANSVERSE MERCATOR (ITM)

Rev.	Date	Description	By	Chkd
D01	Dec 22	Draft Issue for review	MC	JN

Client: Comhairle Contae an Chabháin
Cavan County Council

Project: Kingscourt Public Realm Enhancement Scheme

Title: Vehicle Tracking and Sightlines
Sheet 10 of 10



Prepared by: MC	Checked: JN	Date: Dec 2022
Project Director: S. Kelly		
Drawing Status: Draft		

TOBIN CONSULTING ENGINEERS
CUNNANE STRATTON REYNOLDS LAND PLANNING & DESIGN

architects WALL ARCHITECTS

TOBIN Consulting Engineers will not be liable for any use of this document for any purpose other than that for which it was originally prepared and provided. Except where specifically and explicitly agreed in writing by TOBIN Consulting Engineers, no copyright holder, no part of this document may be reproduced or transmitted in any form and this document shall not be relied upon by any third party for any purpose.

Drawing No. **11257 - 2009** ISSUE **D01**

Layout Plan
Scale @ A1:1:250

ALL MATERIALS AND FINISHES SHOWN ARE SUBJECT TO FURTHER DETAILED DESIGN