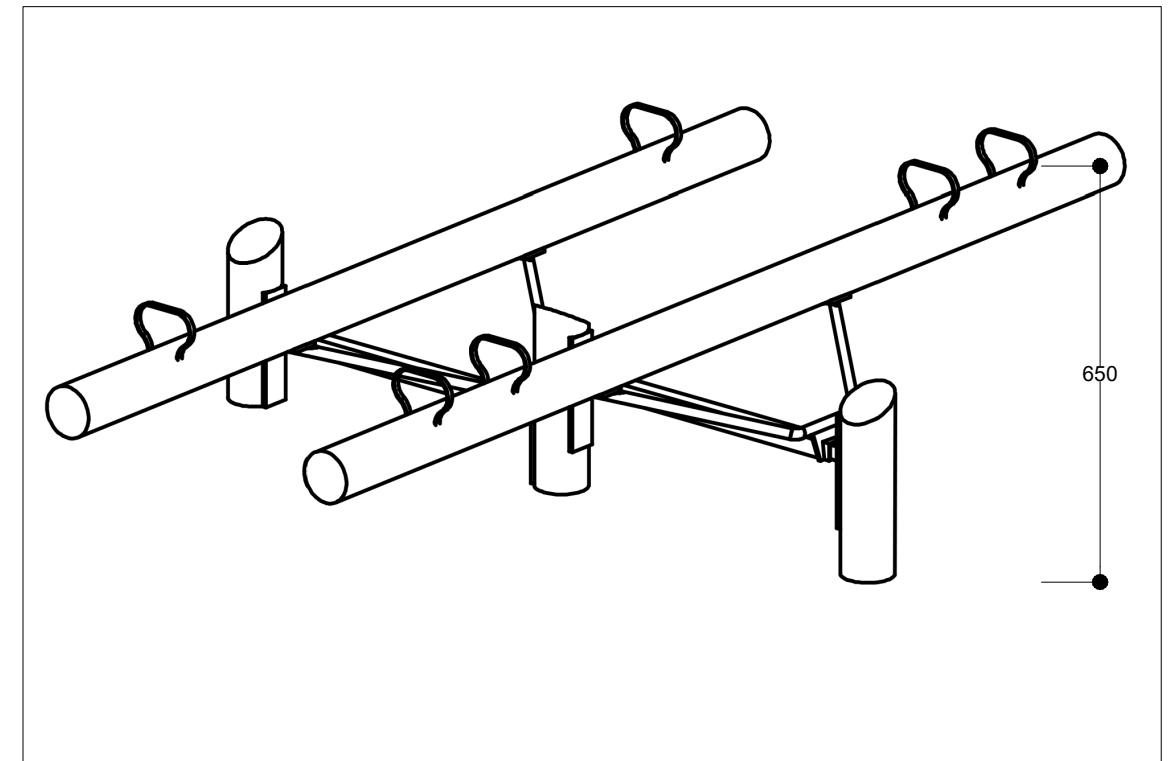


TP02 - Twin See-Saw - Plan 01  
@1:50



TP02 - Twin See-Saw - Iso 01  
NTS



TP02 - Twin See-Saw - Image 01  
NTS

**Notes:**

Surfacing requirements corresponding to a fall height of  $\leq 1.50$  m (please refer to price list for more detailed information)

See-saw beam de-barked, made from non-impregnated mountain larch

Shock absorbing types have to be installed on site by customer

Foundations:  
3 items 60 x 60 x 60 cm  
Excavation depth 80 cm

the paul hogarth company

LANDSCAPE ARCHITECTURE / URBAN DESIGN / PLANNING

e: edinburgh@paulhogarth.com e: belfast@paulhogarth.com e: dublin@paulhogarth.com  
t: +44 (0)131 331 4811 t: +44 (0)28 9073 6690 t: +353 (0)1 897 0272

visit us at www.paulhogarth.com find us on: facebook / twitter / instagram / linkedin

**notes**

Do not scale from drawing, use figured dimensions only.  
All dimensions are to be checked on site by contractor prior to commencement of all work.  
Discrepancies should be reported immediately.  
This drawing is to be read in conjunction with all other TPHC drawings and specification.  
This drawing is the copyright of the Landscape Architect and must not be reproduced or used without permission.  
Ordnance information base information shown is reproduced from Ordnance Survey material © Crown copyright 2018  
Licence Number 100034836.

revision	description	date	author	created	10/07/23	drawn	EF	checked	AMG	scale @ A3	As Shown
P01	Planning	27/10/23	EF	project number	1549	drawing number	913	revision	P01		
				client	Cavan County Council						
				project	Dun A Rí Natural Play						
				drawing	Landscape Details - Equipment Details 03 of 16						
				status	Planning						