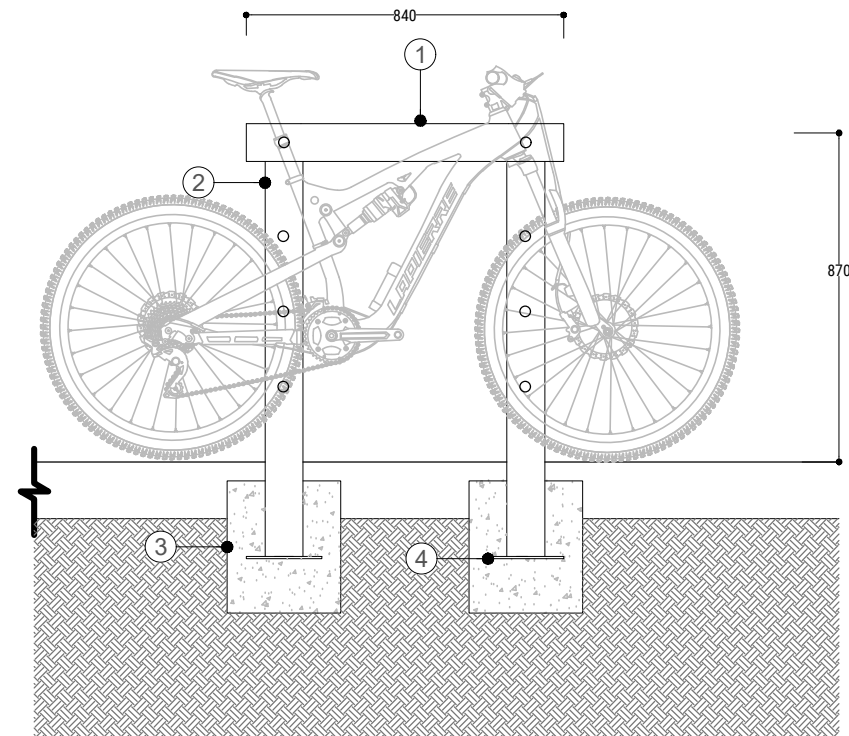


**BS1 - Bicycle Stand - Plan 01**

@1:20



**BS1 - Bicycle Stand - Section 01**

@1:20



**BS1- Bicycle Stand - Image 01**

NTS

**Notes on B1 - Bicycle Stand**  
Stand to Manufactories details

1. Timber Cross Beam.
2. Wooden Upright Posts
3. Foundation to engineers details
4. Metal Plate

**the paul hogarth company**

LANDSCAPE ARCHITECTURE / URBAN DESIGN / PLANNING

e: edinburgh@paulhogarth.com e: belfast@paulhogarth.com e: dublin@paulhogarth.com  
t: +44 (0)131 331 4811 t: +44 (0)28 9073 6690 t: +353 (0)1 897 0272

visit us at www.paulhogarth.com find us on: facebook / twitter / instagram / linkedin

notes

Do not scale from drawing, use figured dimensions only.  
All dimensions are to be checked on site by contractor prior to commencement of all work.  
Discrepancies should be reported immediately.  
This drawing is to be read in conjunction with all other TPHC drawings and specification.  
This drawing is the copyright of the Landscape Architect and must not be reproduced or used without permission.  
Ordnance information base information shown is reproduced from Ordnance Survey material © Crown copyright 2018  
Licence Number 100034836.

revision

description

date

author

P01

Planning

27/10/23

EF

created	10/07/23	drawn	EF	checked	AMG	scale @ A3	As Shown
---------	----------	-------	----	---------	-----	------------	----------

project number	1549	drawing number	909	revision	P01
----------------	------	----------------	-----	----------	-----

client	Cavan County Council
--------	----------------------

project	Dun A Rí Natural Play
---------	-----------------------

drawing	Landscape Details - Furniture Details 03 of 03
---------	--

status	Planning
--------	----------