

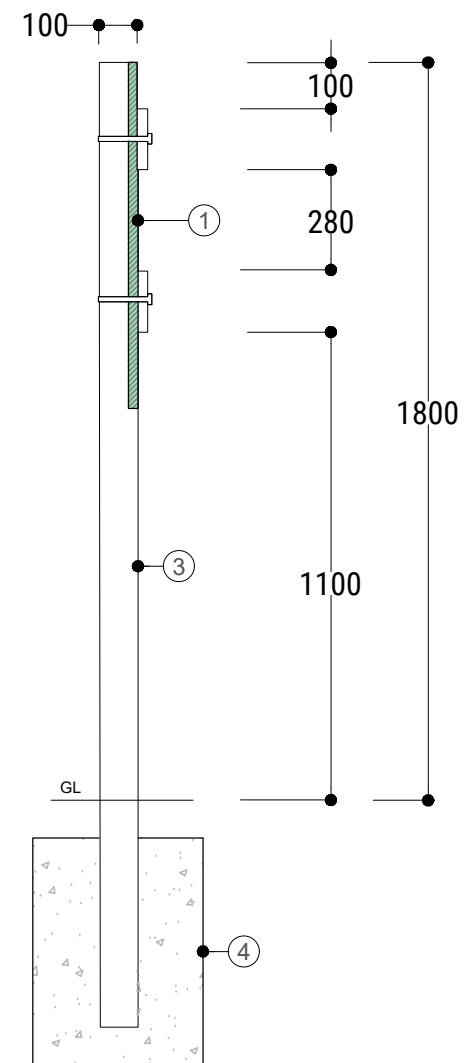
S1 - Timber Welcome / Orientation Sign - Elevation 01

@1:20



S1 - Timber Welcome / Orientation Sign - Section 01

@1:20



S1 - Timber Welcome / Orientation Sign - Section 01

@1:20

**Notes on S1 - Timber Welcome / Orientation Sign**  
Sign to Manufactories details

1. Laminated Information Panel - Graphics and content to outlined by TPHC & to be agreed with Coilte.
2. Wooden Frame
3. Timber Posts.
4. Foundation to engineers details

the paul hogarth company

LANDSCAPE ARCHITECTURE / URBAN DESIGN / PLANNING

e: edinburgh@paulhogarth.com e: belfast@paulhogarth.com e: dublin@paulhogarth.com  
t: +44 (0)131 331 4811 t: +44 (0)28 9073 6690 t: +353 (0)1 897 0272

visit us at www.paulhogarth.com find us on: facebook / twitter / instagram / linkedin

notes

Do not scale from drawing, use figured dimensions only.  
All dimensions are to be checked on site by contractor prior to commencement of all work.  
Discrepancies should be reported immediately.  
This drawing is to be read in conjunction with all other TPHC drawings and specification.  
This drawing is the copyright of the Landscape Architect and must not be reproduced or used without permission.  
Ordnance information base information shown is reproduced from Ordnance Survey material © Crown copyright 2018  
Licence Number 100034836.

revision

description

date

author

P01

Planning

27/10/23

EF

created 10/07/23 drawn EF checked AMG scale @ A3 As Shown

project number 1549 drawing number 908 revision P01

client Cavan County Council

project Dun A Rí Natural Play

drawing Landscape Details - Furniture Details 02 of 03

status Planning